

AUTOBETONIERA

DB 2500

MECCANICA

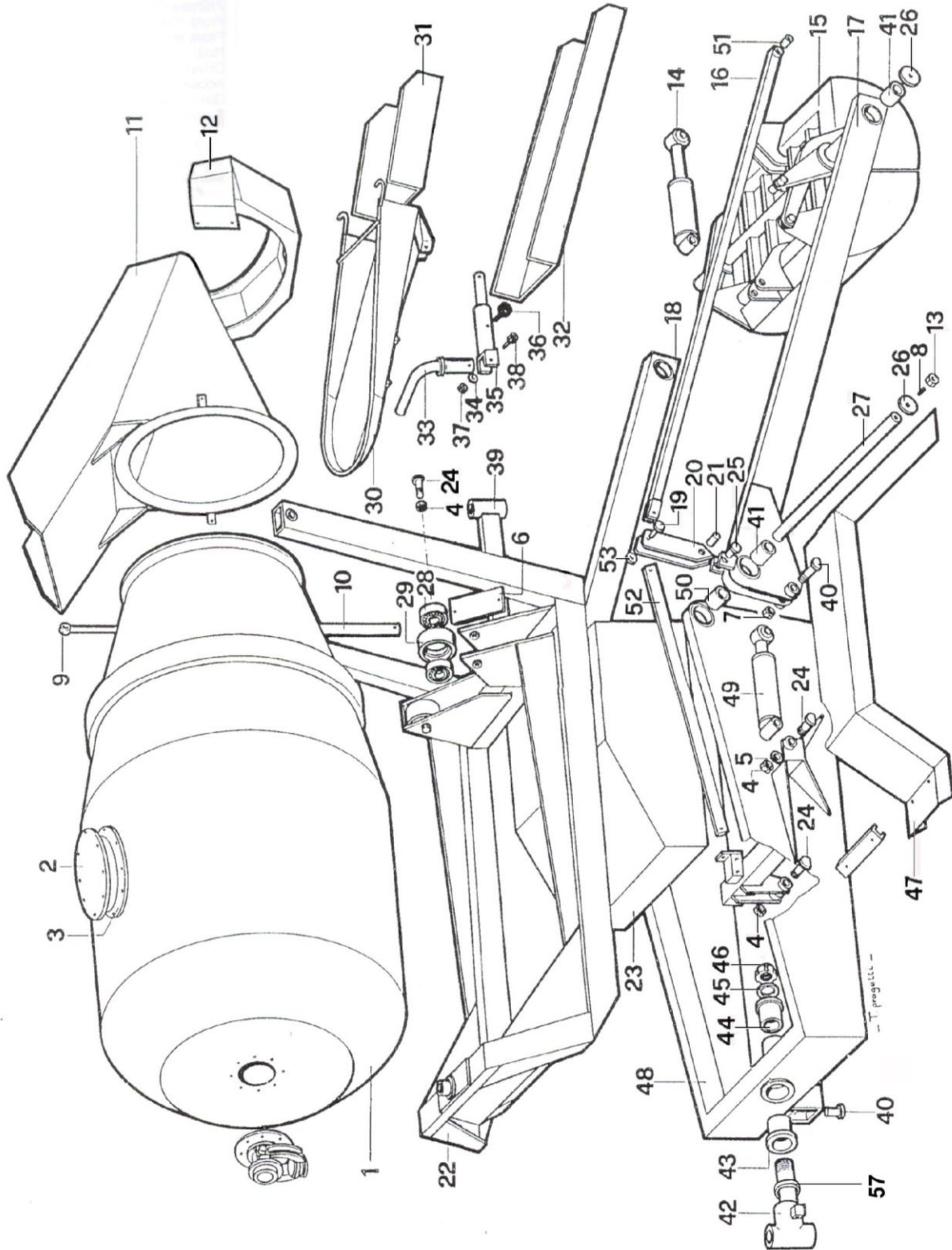
**SILLA**

Macchine Edili e Stradali s.r.l.
Via S, Gimignano n°96 Poggibonsi (SI) – Italy
e-mail : silla@temainf.it Sito internet : www.sillaitaly.com

REV. 1 Data 20/10/15

Tav. 01		Telaio	Chassis	Frame group
	DB2500	I	F	GB
Rif	Codice	Descrizione	Description	Designation
1	250.001.001	Vasca	Cuve	Mixing drum
2	250.001.002	Portello	Guidey d'occurence	Emergency opening
3	250.001.003	Guarnizione	Joint	Gasket
4	250.001.004	Dado	Ecrou	Nut
5	250.001.005	Rondella	Rondelle	Washer
6	250.001.006	Protezione	Protection	Protection
7	250.001.007	Dado	Ecrou	Nut
8	250.001.008	Grano	Vis	Screw
9	250.001.009	Asta	Tige	Rod
10	250.001.010	Tubo di guida	Tuyau de glissiere	Rod holder tube
11	250.001.011	Tramoggia	Tremie	Hopper
12	250.001.012	Convogliatore di scarico	Convoyeur	Unloading conveyor
13	250.001.013	Dado	Ecrou	Nut
14	250.001.014	Martinetto	Verin	Cylinder
15	250.001.015	Benna mordente	Benne de chargement	Grab
16	250.001.016	Tirante lungo	Tige	Long rod
17	250.001.017	Braccio sinistro	Bras gauche	Left lifting arm
18	250.001.018	Braccio destro	Bras droite	Right lifting arm
19	250.001.019	Perno	Pivot	Pin
20	250.001.020	Bilancere	Balancier	Balancer
21	250.001.021	Bronzina	Coussinet	Bushing
22	250.001.022	Telaio portante mobile	Chassis	Frame drum lifting
23	250.001.023	Serbatoio acqua	Reservoir d'eau	Water tank
24	250.001.024	Perno	Pivot	Pin
25	250.001.025	Perno	Pivot	Pin
26	250.001.026	Rondella	Rondelle	Washer
27	250.001.027	Perno	Pivot	Pin
28	250.001.028	Cuscinetto	Roulement	Bearing
29	250.001.029	Rullo	Galet	Roller
30	250.001.030	Canala di scarico	Chanel de coulee	Discharging channel
31	250.001.031	Prolunga canale	Petit rallonge	Small extension channel
32	250.001.032	Prolunga canale	Grande rallonge	Big extension channel
33	250.001.033	Perno	Pivot	Pin
34	250.001.034	Rondella	Rondelle	Washer
35	250.001.035	Martinetto canale di scarico	Support	Discharging canne cylinder
36	250.001.036	Pomolo	Pommeau	Pommel
37	250.001.037	Dado	Ecrou	Nut
38	250.001.038	Vite	Vis	Bolt
39	250.001.039	Supporto	Support	Support
40	250.001.040	Perno	Pivot	Pin
41	250.001.041	Boccola	Manchon	Bushing
42	250.001.042	Perno	Pivot	Pin
43	250.001.043	Bronzina	Coussinet	Bushing
44	250.001.044	Bronzina	Coussinet	Bushing
45	250.001.045	Anello	Bague	Washer
46	250.001.046	Ghiera	Collier de serrage	Ring
47	250.001.047	Parafango	Garde	Mud guard
48	250.001.048	Telaio posteriore	Chassis portant	Support frame
49	250.001.049	Martinetto	Verin	Cylinder
50	250.001.050	Bronzina	Coussinet	Bushing
51	250.001.051	Bronzina	Coussinet	Bushing
52	250.001.052	Tirante lungo	Tige	Short rod
53	250.001.053	Rondella	Rondelle	Washer
57	250.001.057	Anello	Bague	Washer

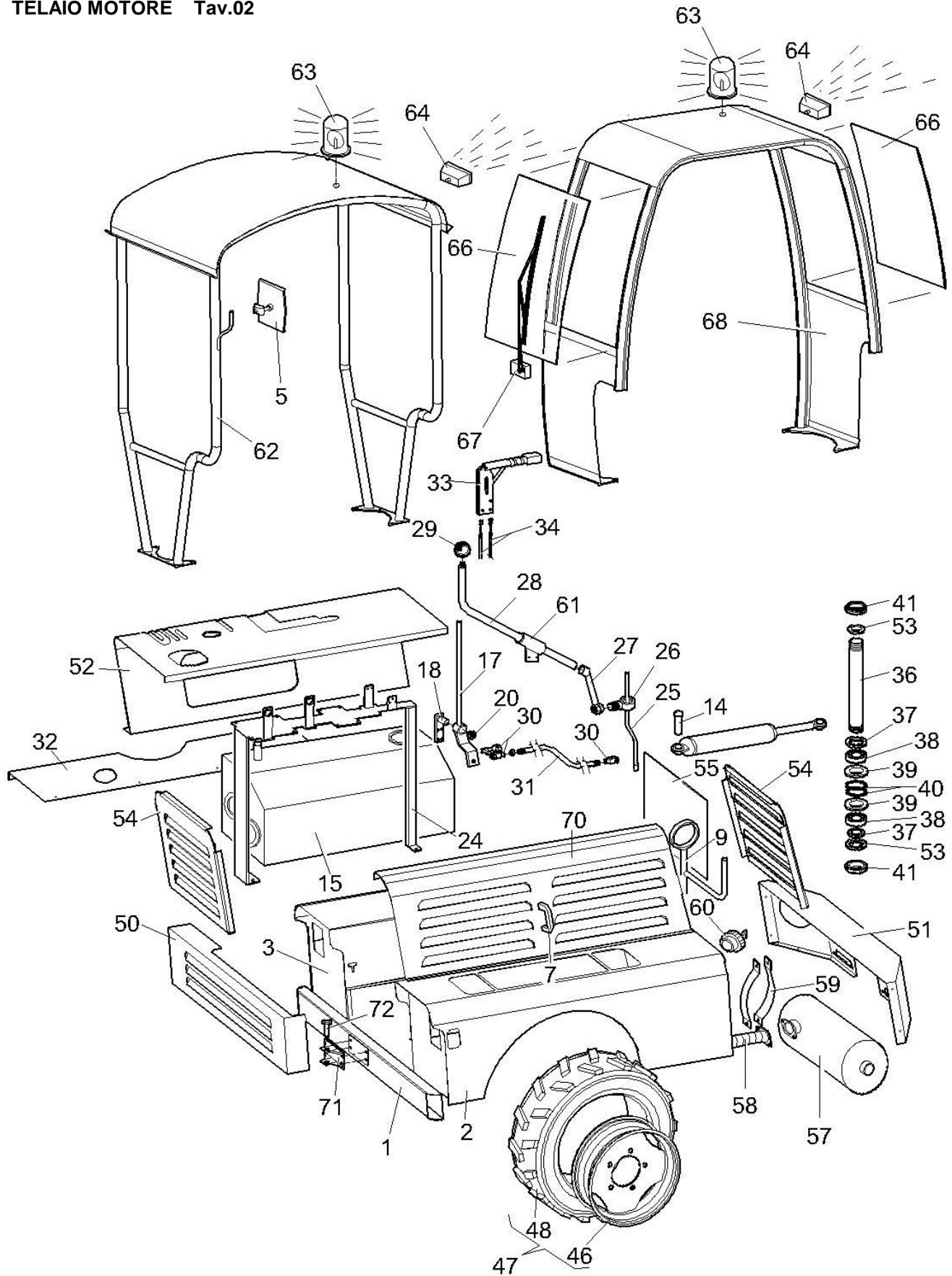
COMPLESSIVO TELAIO Tav.01



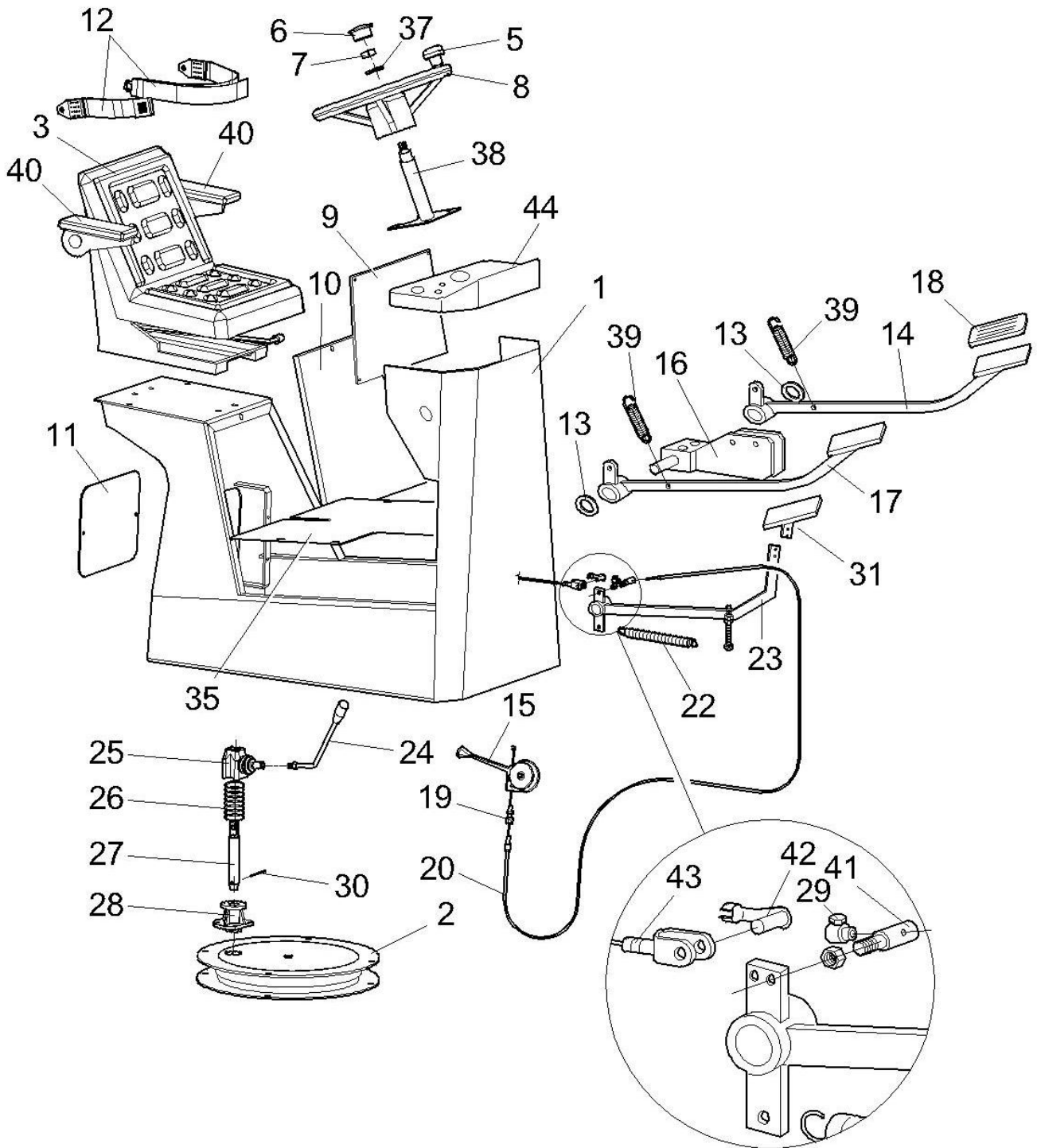
TAV. 1

Tav. 02		Telaio motore	Bati de moteur	Frame engine
	DB2500	I	F	GB
Rif	Codice	Descrizione	Description	Description
1	250.002.001	Telaio motore	Bati de moteur	Frame engine
2	250.002.002	Parafango anteriore sinistro	Garde-boue gauche	Front mudguard, left
3	250.002.003	Parafango anteriore destro	Garde-boue droit	Front mudguard, right
5	250.002.005	Specchio retrovisore	Miroir retroviseur	Driving mirror
7	250.002.007	Maniglia	Manipuler	Handle
9	250.002.009	Supporto tubi	Support tuyau	Support tube
14	250.002.014	Perno	Pivot	Pin
15	250.002.015	Serbatoio olio	Reservoir d'huile	Hydraulic oil tank
17	250.002.017	Leva	Levier inverseur	Inverter lever
18	250.002.018	Supporto	Support	Support
20	250.002.020	Rondella	Rondelle	Washer
24	250.002.024	Telaio comandi	Chassis pour commandes	Frame control units
25	250.002.025	Leva	Lever	Levier
26	250.002.026	Anello	Anneau	Ring
27	250.002.027	Leva	Lever	Levier
28	250.002.028	Leva	Lever	Levier
29	250.002.029	Pomello	Bouton	Knob
30	250.002.030	Forcella	Fourchette	Fork
31	250.002.031	Leva	Lever	Levier
32	250.002.032	Carter	Carter	Carter
33	250.002.033	Leva freno a mano	Levier du frein a main	Hand brake
34	250.002.034	Cavo freno	Câble de frein	Brake cable
36	250.002.036	Perno	Pivot	Pin
37	250.002.037	Anello	Bague	Protection ring
38	250.002.038	Cuscinetto	Roulement	Bearing
39	250.002.039	Parapolvere	Pare-poudre	Antidust cover
40	250.002.040	Anello OR	Circlip	Ring OR
41	250.002.041	Ghiera autobloccante	Collier de serrage	Self locking ring
46	250.002.046	Disco ruota	Disque roue	Gear plate
47	250.002.047	Ruota completa	Roue complete	Tyre
48	250.002.048	Pneumatico	Pneu	Tyre cover
50	250.002.050	Carter anteriore/inferiore cofano	Carter	Carter
51	250.002.051	Carter posteriore/inferiore cofano	Carter	Carter
52	250.002.052	Cofano motore	Capot moteur	Engine hood
53	250.002.053	Distanziale	Distantiale	Space sleeve
54	250.002.054	Carter anteriore/superiore cofano	Carter	Carter
55	250.002.055	Sportello batteria	Porte de la batterie	Battery door
57	250.002.057	Marmitta	Silencieux	Silencer
58	250.002.058	Flessibile marmitta	Silencieux souple	Flexible muffler
59	250.002.059	Collare per marmitta	Collier silencieux	Collar for exhaust
60	250.002.060	Tappo serbatoio gasolio	Bouchon de réservoir	Fuel tank cap
61	250.002.061	Supporto leva cambio	Levier d'appui	Support lever
62	250.002.062	Tettino	Dais	Canopy
63	250.002.063	Lampeggiante	Clignotant	Flashing
64	250.002.064	Faro lavoro	Travail Faro	Worklight
66	250.002.066	Vetro anteriore e posteriore	Vitres de cabine	Glass Cab
67	250.002.067	Tergicristallo	Essuie-glace	Windscreen wiper
68	250.002.068	Cabina	Cabine	Cabin
70	250.002.070	Sportello mobile cofano	Mobile capot de couvercle	Movable lid hood
71	250.002.071	Supporto traino	Soutien de remorquage	Support towing
72	250.002.072	Perno di traino	Broche d'accouplement	Coupling pin

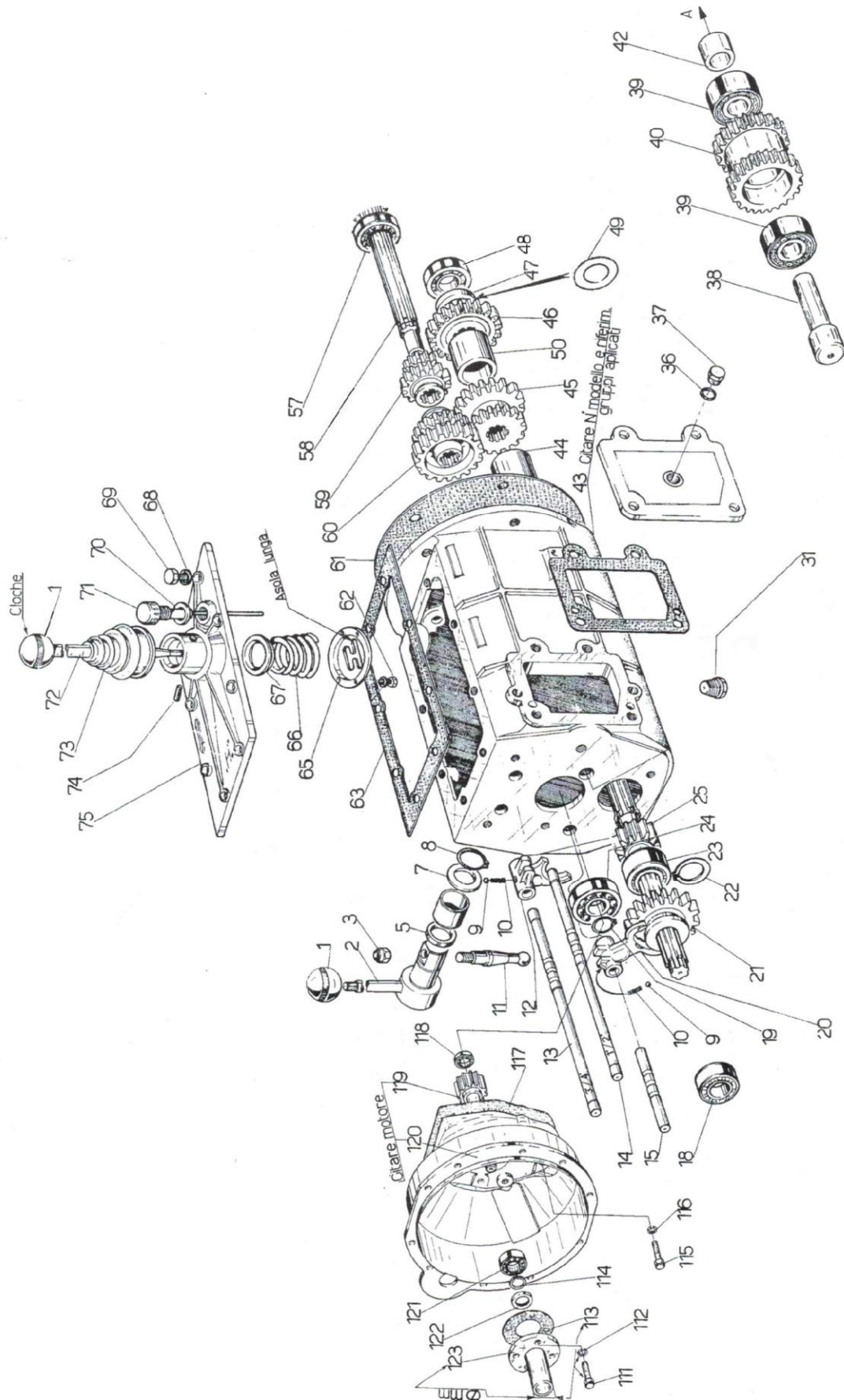
TELAIO MOTORE Tav.02



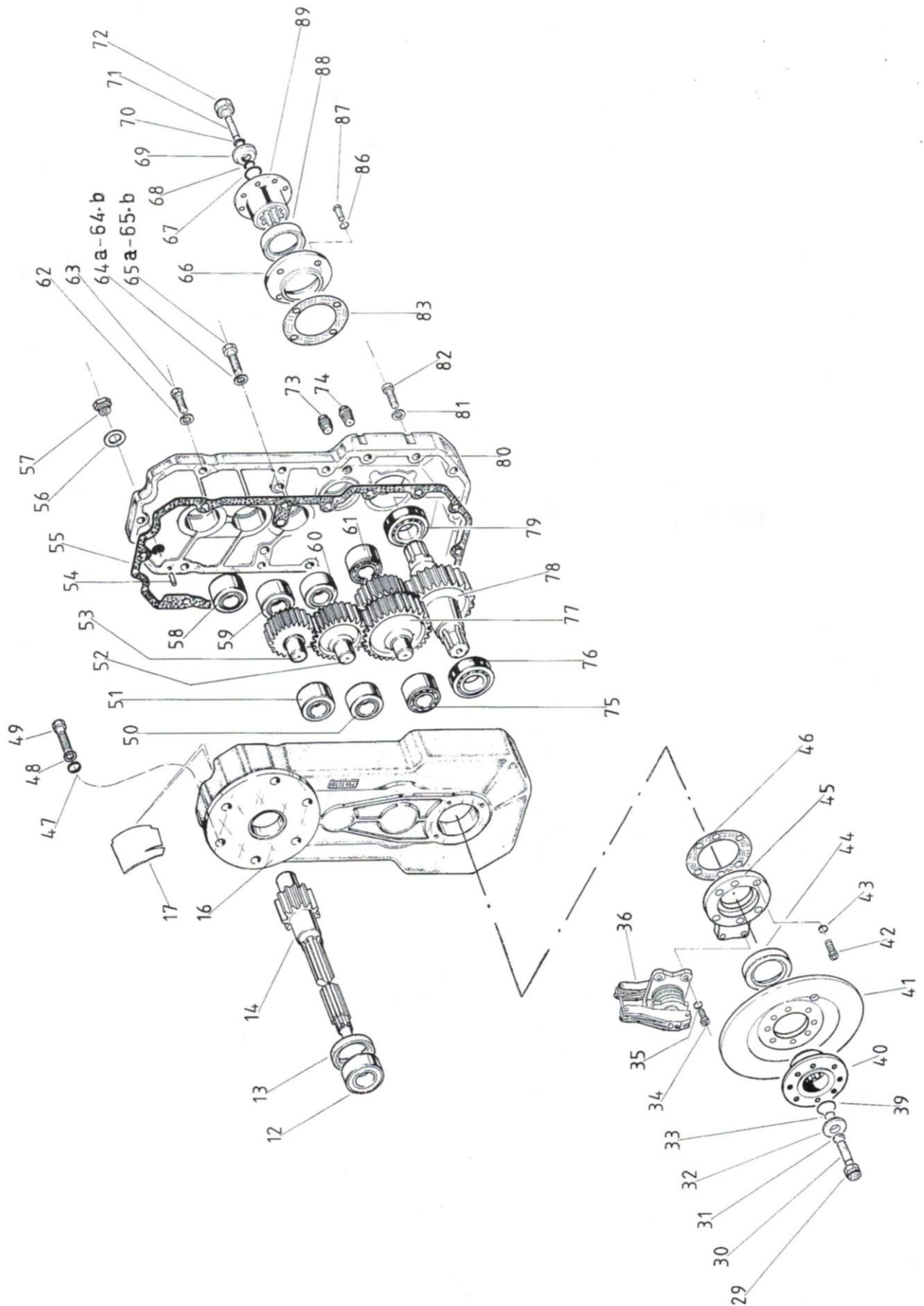
Tav. 03		Posto Guida		
	DB2500	I	F	GB
Rif	Codice	Descrizione	Description	Description
1	250.003.001	Posto guida girevole	Siège du conducteur pivotant	Revolving steering seat
2	250.003.002	Ralla	Sellette	Thrust bearing plate
3	250.003.003	Sedile	Siège	Driver seat
5	250.003.005	Pomello	Bouton	Knob
6	250.003.006	Tappo	Fiche	Steering cap
7	250.003.007	Dado	Ecrou	Nut
8	250.003.008	Volante	Volante	Steering whell
9	250.003.009	Carter per idroguida	Carter pour direction assistée	Cover for power steering
10	250.003.010	Carter sotto sedile	Carter sous le siège	Cover under seat
11	250.003.011	Carter centralina Rele	Carter unité de relais	Cover relay unit
12	250.003.012	Cinture di sicurezza	Les ceintures de sécurité	Seat belts
13	250.003.013	Rondella	Rondelle	Washer
14	250.003.014	Pedale frizione	Pédale d'embrayage	Clutch pedal
15	250.003.015	Manettino acceleratore manuale	Accélérateur à main	Accelerator lever
16	250.003.016	Supporto pedali	Pédales de soutien	Support pedals
17	250.003.017	Pedale del freno	Pédale de frein	Brake pedal
18	250.003.018	Copri pedale	Capot de la pédale	Pedal cover
19	250.003.019	Regolatore	Régulateur	Regulator
20	250.003.020	Guaina acceleratore	Gaine accélérateur	Sheath accelerator
23	250.003.023	Pedale dell'acceleratore	Pédale de gaz	Gas pedal
24	250.003.024	Asta	Barre	Rod
25	250.003.025	Supporto	Soutien	Support
26	250.003.026	Molla	Printemps	Spring
27	250.003.027	Spinotto	Goupille	Pin
28	250.003.028	Supporto	Soutien	Support
29	250.003.029	Morsetto per cavo	Morsetto per cavo	Cable clamp
30	250.003.030	Spina elastica	Goupille	Split pin
35	250.003.035	Pedana	Marchepied	Foot board
38	250.003.038	Supporto dello sterzo	Soutien direction	Support steering
39	250.003.039	Molla	Printemps	Spring
40	250.003.040	Coppia di braccioli	Paire d'accoudoirs	Pair of armrests
41	250.003.041	Passacavo	Grommet	Grommet
42	250.003.042	Spinotto	Goupille	Pin
43	250.003.043	Cavo dell'acceleratore	Câble d'accélérateur	Throttle Cable
44	250.003.044	Cruscotto	Tableau de bord	Dashboard



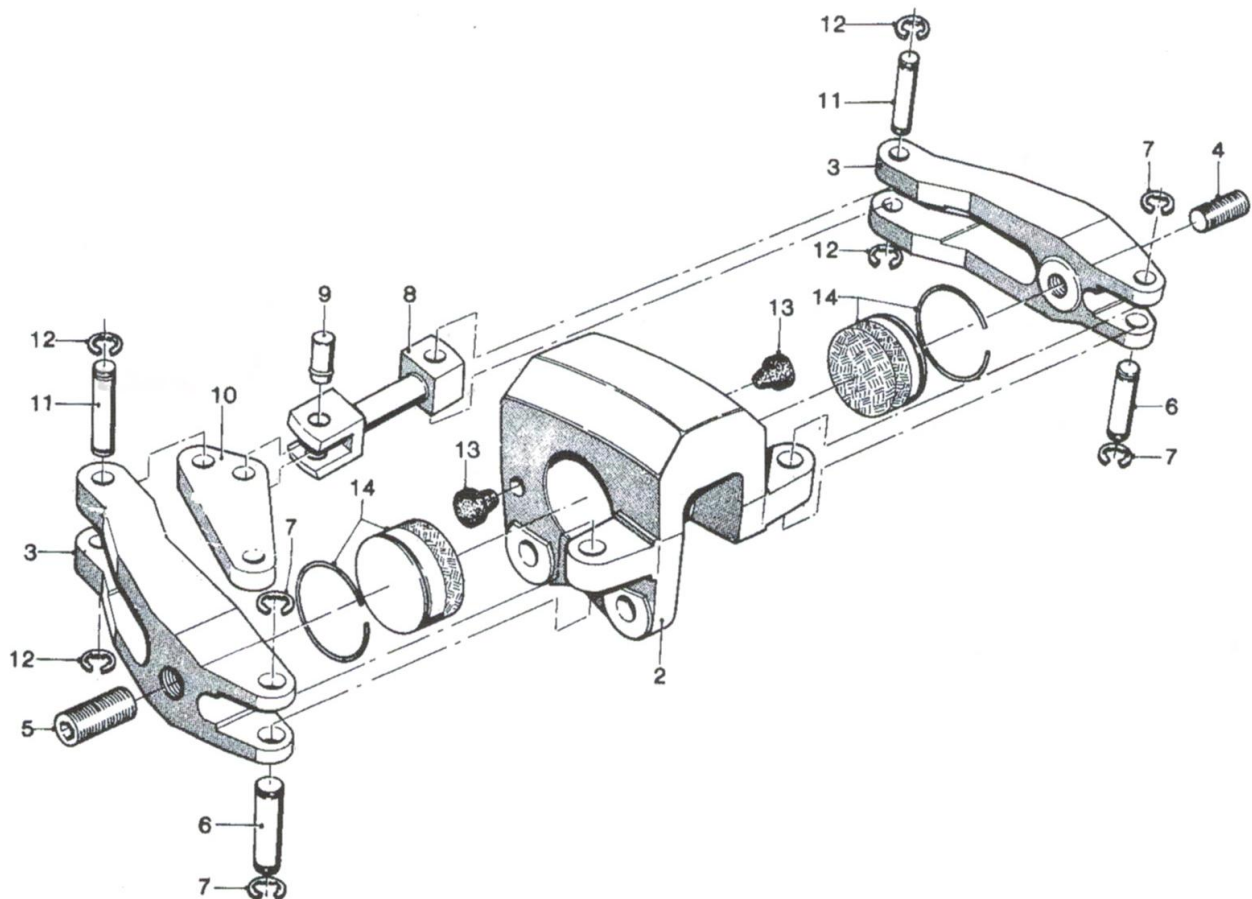
Tav. 04		CAMBIO					
	DB2500	I		F		GB	
Rif	Codice	Descrizione		Designation		Description	
1	250.004.001	Pomolo	V0003	Pommeau	V0003	Pommel	V0003
2	250.004.002	Leva	02600	Levier	02600	Lever	02600
3	250.004.003	Dado	S0057	Ecrou	S0057	Nut	S0057
5	250.004.005	Anello OR	W0077	Joint OR	W0077	O-Ring	W0077
7	250.004.007	Rondella	00225	Rondelle	00225	Washer	00225
8	250.004.008	Anello Seeger	U0009	Bague d'arrêt	U0009	Seeger Ring	U0009
9	250.004.009	Sfera	V0001	Bille	V0001	Ball	V0001
10	250.004.010	Molla	00035	Ressort	00035	Spring	00035
11	250.004.011	Perno	01608A	Pivot	01608A	Pin	01608A
12	250.004.012	Forcella	01390	Fourchette	01390	Fork	01390
13	250.004.013	Asta	01438	Tige	01438	Rod	01438
14	250.004.014	Asta	01437	Tige	01437	Rod	01437
15	250.004.015	Asta	00228 B	Tige	00228 B	Rod	00228 B
18	250.004.018	Cuscinetto	K0010	Roulement	K0010	Bearing	K0010
19	250.004.019	Anello Seeger	U0005	Seeger	U0005	Seeger	U0005
20	250.004.020	Forcella	01345	Fourche	01345	Fork	01345
21	250.004.021	Ingranaggio	02568	Engrangement	02568	Gear	02568
22	250.004.022	Anello Seeger	U0005	Seeger	U0005	Seeger Ring	U0005
23	250.004.023	Cuscinetto	K0042	Roulement	K0042	Bearing	K0042
24	250.004.024	Cuscinetto	K0016	Roulement	K0016	Bearing	K0016
25	250.004.025	Albero	01785/2	Arbre	01785/2	Shaft	01785/2
31	250.004.031	Tappo	V0018	Bouchon	V0018	Plug	V0018
36	250.004.036	Rondella	I0105	Rondelle	I0105	Washer	I0105
37	250.004.037	Tappo	V0206	Bouchon	V0206	Plug	V0206
38	250.004.038	Perno	02564	Pivot	02564	Pin	02564
39	250.004.039	Cuscinetto	K0100	Roulement	K0100	Bearing	K0100
40	250.004.040	Ingranaggio invertitore	02572B	Engrangement	02572B	Gear	02572B
42	250.004.042	Boccola	00034	Manchon	00034	Bushing	00034
43	250.004.043	Carter	02571 B	Carter	02571 B	Carter	02571 B
44	250.004.044	Distanziale	00240 B	Entretoise	00240 B	Spacer	00240 B
45	250.004.045	Ingranaggio	01420 A	Engrangement	01420 A	Gear	01420 A
46	250.004.046	Ingranaggio	00238	Engrangement	00238	Gear	00238
47	250.004.047	Distanziale	00241 B	Entretoise	00241 B	Spacer	00241 B
48	250.004.048	Cuscinetto	K0010	Roulement	K0010	Bearing	K0010
49	250.004.049	Spessore	I 0126/7	Entretoise	I 0126/7	Spacer	I 0126/7
50	250.004.050	Distanziale	00240 B	Entretoise	00240 B	Spacer	00240 B
57	250.004.057	Cuscinetto	K0046	Roulement	K0046	Bearing	K0046
58	250.004.058	Albero	01324 E	Arbre	01324 E	Shaft	01324 E
59	250.004.059	Ingranaggio	01421 A	Engrangement	01421 A	Gear	01421 A
60	250.004.060	Ingranaggio	00244 A	Engrangement	00244 A	Gear	00244 A
61	250.004.061	Guarnizione	00247	Joint	00247	Gasket	00247
62	250.004.062	Vite	Y0006 E	Vis	Y0006 E	Screw	Y0006 E
63	250.004.063	Guarnizione	01346	Joint	01346	Gasket	01346
65	250.004.065	Selettore	01251	Selecteur	01251	Selector	01251
66	250.004.066	Molla	01250	Ressort	01250	Spring	01250
67	250.004.067	Anello	00216	Anneau	00216	Ring	00216
68	250.004.068	Rondella	I 0002	Rondelle	I 0002	Washer	I 0002
69	250.004.069	Vite	Y0001	Vis	Y0001	Screw	Y0001
70	250.004.070	Anello OR	W0120	Jointor	W0120	O-Ring	W0120
71	250.004.071	Tappo	V0576	Bouchon	V0576	Plug	V0576
72	250.004.072	Leva	00217 B	Levier	00217 B	Lever	00217 B
73	250.004.073	Soffietto gomma	V0002	Protection	V0002	Protection	V0002
74	250.004.074	Spina	00032	Goupille	00032	Pin	00032
75	250.004.075	Coperchio	01310	Couvercle	01310	Cover	01310
111	250.004.111	Vite	Y0013	Vis	Y0013	Screw	Y0013
112	250.004.112	Rondella	I 0004	Rondelle	I 0004	Washer	I 0004
113	250.004.113	Guarnizione	00494	Joint	00494	Gasket	00494
114	250.004.114	Anello Seeger	U0009	Seeger	U0009	Seeger Ring	U0009
115	250.004.115	Vite	Y00116	Vis	Y00116	Screw	Y00116
116	250.004.116	Rondella	I 0003	Rondelle	I 0003	Washer	I 0003
117	250.004.117	Guarnizione	01585	Joint	01585	Gasket	01585
118	250.004.118	Cuscinetto	K0063	Roulement	K0063	Bearing	K0063
119	250.004.119	Albero	01712 B	Arbre	01712 B	Shaft	01712 B
120	250.004.120	Campana	01747	Cloche	01747	Bellhousing	01747
121	250.004.121	Cuscinetto	K0009	Roulement	K0009	Bearing	K0009
122	250.004.122	Anello MIM	W0004	Joint	W0004	Sealing Ring	W0004
123	250.004.123	Supporto	01607	Support	01607	Support	01607



Tav. 5		RIDUTTORE					
	DB2500	I		F		GB	
Rif	Codice	Descrizione		Designation		Description	
12	250.005.012	Cuscinetto	K0046	Roulement	K0046	Bearing	K0046
13	250.005.013	Anello MIM	W0118	Joint	W0118	Sealing ring	W0118
14	250.005.014	Albero	01324E	Arbre	01324E	Shaft	01324E
16	250.005.016	Scatola riduttore	01579C	Boite reducteur	01579C	Housing	01579C
17	250.005.017	Protezione	03306	Protection	03306	Cover	03306
29	250.005.029	Dado	S0049	Ecrou	S0049	Nut	S0049
30	250.005.030	Vite	Y0186	Vis	Y0186	Screw	Y0186
31	250.005.031	Rondella	I0105	Rondelle	I0105	Washer	I0105
32	250.005.032	Rondella	00262 B	Rondelle	00262 B	Washer	00262 B
33	250.005.033	Anello OR	W0067	Joint OR	W0067	O-Ring	W0067
34	250.005.034	Vite	Y0285	Vis	Y0285	Screw	Y0285
35	250.005.035	Rondella	I 0061	Rondelle	I 0061	Washer	I 0061
36	250.005.036	Pinza freno	V 0161	Etrier de frein	V0161	Brake caliper	V0161
39	250.005.039	Anello OR	W0026	Joint OR	W0026	O-Ring	W0026
40	250.005.040	Flangia	02512.2	Flasque	02512.2	Flange	02512.2
41	250.005.041	Disco freno	02513.2	Disque frein	02513.2	Brake plate	02513.2
42	250.005.042	Vite	Y0274	Vis	Y0274	Screw	Y0274
43	250.005.043	Rondella	I0006	Rondelle	I0006	Washer	I0006
44	250.005.044	Anello MIM	W0231	Joint	W0231	Sealing ring	W0231
45	250.005.045	Coperchietto	02548 A	Couvercle	02548 A	Cover	02548 A
46	250.005.046	Guarnizione	00264	Joint	00264	Gasket	00264
48	250.005.048	Rondella	I0005	Rondelle	I0005	Washer	I0005
49	250.005.049	Vite	Y0075	Vis	Y0075	Screw	Y0075
50	250.005.050	Cuscinetto	K0145	Roulement	K0145	Bearing	K0145
51	250.005.051	Cuscinetto	K0145	Roulement	K0145	Bearing	K0145
52	250.005.052	Pignone	03457	Pignon	03457	Pignon	03457
53	250.005.053	Pignone	03456	Pignon	03456	Pignon	03456
54	250.005.054	Spina	Z0008	Pivot	Z0008	Pin	Z0008
55	250.005.055	Guarnizione	00263 B	Joint	00263 B	Gasket	00263 B
56	250.005.056	Rondella	I0020	Rondelle	I0020	Washer	I0020
57	250.005.057	Tappo	V0008	Bouchon	V0008	Plug	V0008
58	250.005.058	Cuscinetto	K0145	Roulement	K0145	Bearing	K0145
59	250.005.059	Cuscinetto	K0145	Roulement	K0145	Bearing	K0145
60	250.005.060	Cuscinetto	K0145	Roulement	K0145	Bearing	K0145
61	250.005.061	Cuscinetto	K0057	Roulement	K0057	Bearing	K0057
62	250.005.062	Rondella	I0003	Rondelle	I0003	Washer	I0003
63	250.005.063	Vite	Y0064	Vis	Y0064	Screw	Y0064
64A	250.005.064A	Rondella	I0005	Rondelle	I0005	Washer	I0005
65A	250.005.065A	Vite	Y0063	Vis	Y0063	Screw	Y0063
65B	250.005.065B	Vite	03233	Vis	03233	Screw	03233
66	250.005.066	Cuscinetto	00260A	Roulement	00260A	Bearing	00260A
67	250.005.067	Anello OR	W0026	Joint OR	W0026	O-Ring	W0026
68	250.005.068	Anello OR	W0067	Joint OR	W0067	O-Ring	W0067
69	250.005.069	Rondella	00262B	Rondelle	00262B	Washer	00262B
70	250.005.070	Rondella	I0105	Rondelle	I0105	Washer	I0105
71	250.005.071	Vite	Y0186	Vis	Y0186	Screw	Y0186
72	250.005.072	Dado	S0049	Ecrou	S0049	Nut	S0049
73	250.005.073	Tappo	V0018	Bouchon	V0018	Plug	V0018
74	250.005.074	Tappo	V0018	Bouchon	V0018	Plug	V0018
75	250.005.075	Cuscinetto	K0057	Roulement	K0057	Bearing	K0057
76	250.005.076	Cuscinetto	K0024	Roulement	K0024	Bearing	K0024
77	250.005.077	Ingranaggio	02100	Engrimage	02100	Gear	02100
78	250.005.078	Ingranaggio	02101	Engrimage	02101	Gear	02101
79	250.005.079	Cuscinetto	K0024	Roulement	K0024	Bearing	K0024
80	250.005.080	Coperchietto	01580C	Couvercle	01580C	Cover	01580C
81	250.005.081	Rondella	I0063	Rondelle	I0063	Washer	I0063
82	250.005.082	Vite	Y0043	Vis	Y0043	Screw	Y0043
83	250.005.083	Guarnizione	00264	Joint	00264	Gasket	00264
86	250.005.086	Rondella	I0006	Rondelle	I0006	Washer	I0006
87	250.005.087	Vite	Y0025	Vis	Y0025	Screw	Y0025
88	250.005.088	Anello MIM	W0231	Joint	W0231	Sealing ring	W0231
89	250.005.089	Flangia	02753	Flasque	02753	Flange	02753

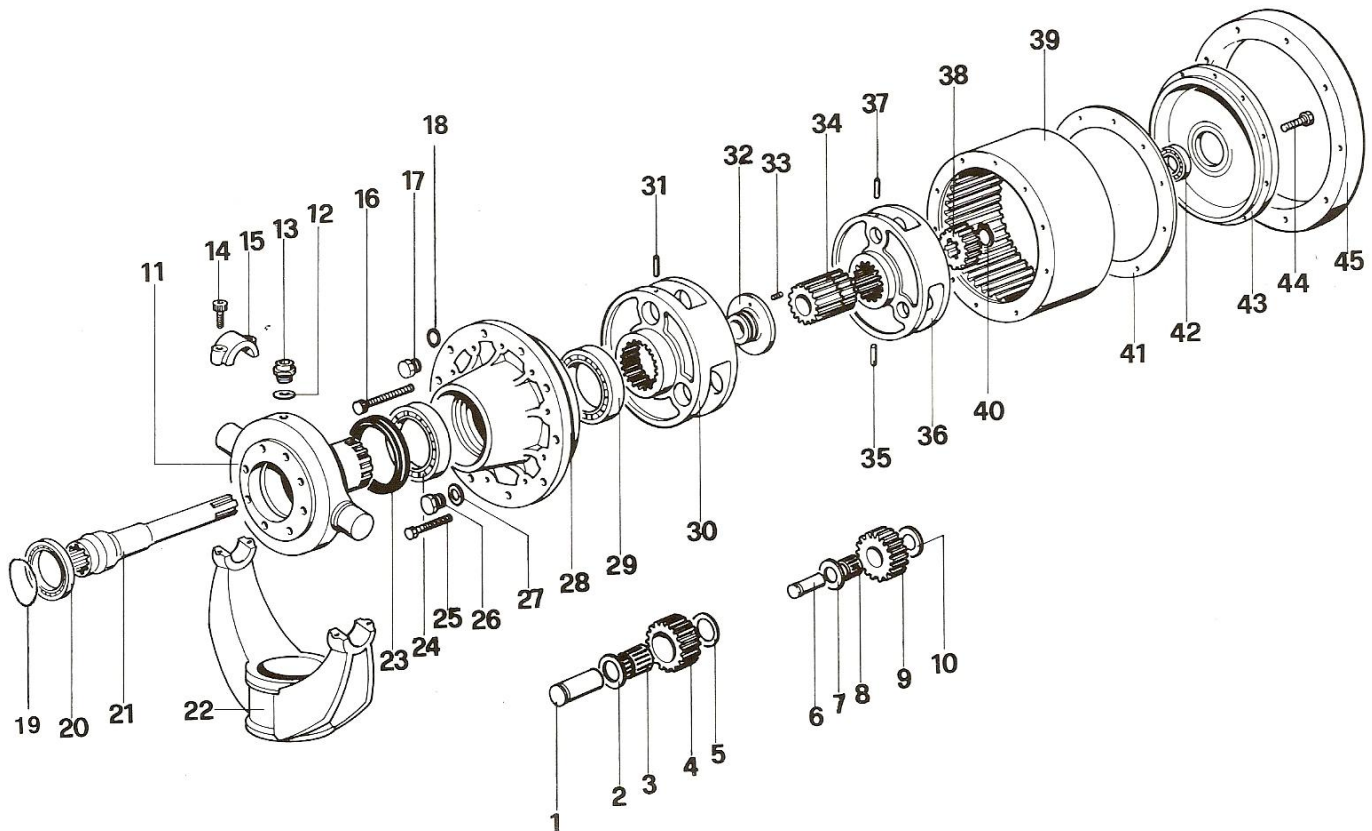


Tav. 6				
	DB2500	I	F	GB
Rif	Codice	Descrizione	Designation	Description
2	250.006.002	Coperchio	Couvercle	Cover
3	250.006.003	Pastiglia	Disque de frict.	Pad
4	250.006.004	Anello OR	Joint OR	O-Ring
5	250.006.005	Anello dentato	Ann.dentee	Toothed ring
6	250.006.006	Solare 630.010.030	Engrangement central	Sun gear
7	250.006.007	Assieme 1 ^a riduzione	Sous-ensem 1 ^a tr.	1 st. red assembly
8	250.006.008	Solare	Engrangement central	Sun gear
9	250.006.009	Distanziale	Entretoise	Spacer
10	250.006.010	Assieme 2 ^a riduzione	Sous-ensem 2 ^a tr.	2 st. red assembly
11	250.006.011	Ralla	Butee	Flange
12	250.006.012	Anello seeger	Bague d'arrêt	Seeger ring
13	250.006.013	Anello dentato	Anneau dentee	Toothed ring
14	250.006.014	Ghiera	Ecrou	Nut

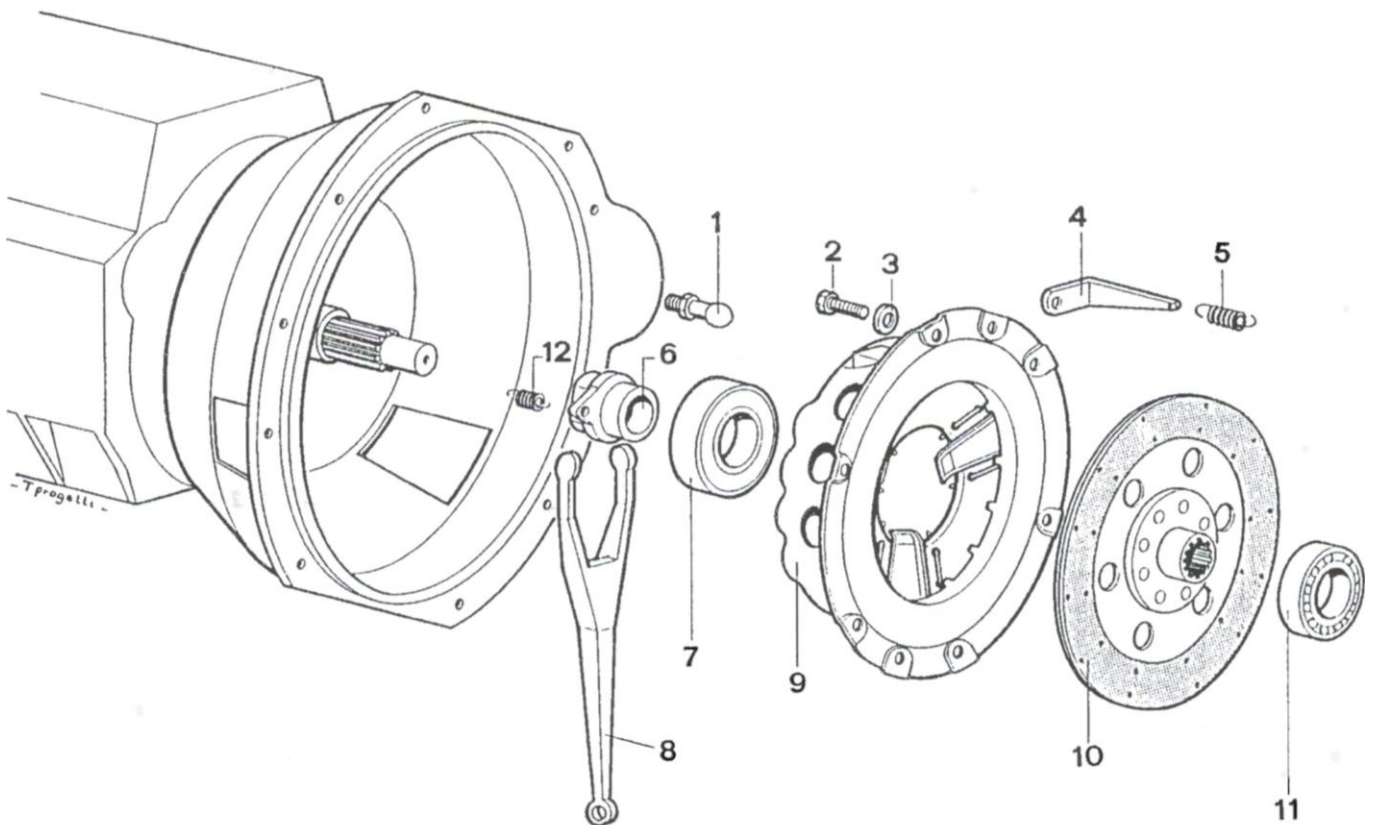


Tav. 7		Riduttore Vasca con Supporto	
	DB2500	I	GB
Rif	Codice	Descrizione	Description
1	250.007.001	Perno	Pin
2	250.007.002	Ralla	Flange
3	250.007.003	Gabbia Rullini	Roll. cage
4	250.007.004	Planetario	Planet
5	250.007.005	Ralla	Flange
6	250.007.006	Perno	Pin
7	250.007.007	Ralla	Flange
8	250.007.008	Gabbia Rullini	Roll. cage
9	250.007.009	Planetario	Planet
10	250.007.010	Ralla	Flange
11	250.007.011	Mozzo Flangiato	Hub
12	250.007.012	Rondella Alluminio	Flange
13	250.007.013	Valvola	Valve
14	250.007.014	Vite	Screw
15	250.007.015	Staffa di Fissaggio	Braket
16	250.007.016	Vite	Screw
17	250.007.017	Valvola sfiato	Valve
18	250.007.018	Rondella	Washer
19	250.007.019	Anello Elastico	Elastic ring
20	250.007.020	Anello OR	O-Ring
21	250.007.021	Albero	Shaft
22	250.007.022	Supporto	Rp base
23	250.007.023	Anello Tenuta	Seal ring

Tav. 7			
	DB2500	I	GB
Rif	Codice	Descrizione	Description
24	250.007.024	Cuscinetto	Bearing
25	250.007.025	Vite	Screw
26	250.007.026	Tappo Chiuso	Plug
27	250.007.027	Rondella Alluminio	Flange
28	250.007.028	Corpo Riduttore	Housing
29	250.007.029	Cuscinetto	Bearing
30	250.007.030	Porta Planetari	Planetary carr
31	250.007.031	Spina Elastica	Elastic pin
32	250.007.032	Ghiera	Ring nut
33	250.007.033	Vite	Screw
34	250.007.034	Solare	Sun gear
35	250.007.035	Spina Elastica	Elastic pin
36	250.007.036	Porta Planetari	Planetary carr
37	250.007.037	Spina Elastica	Elastic pin
38	250.007.038	Solare	Sun gear
39	250.007.039	Anello Dentato	Tooted ring
40	250.007.040	Anello Elastico	Elastic ring
41	250.007.041	Guarnizione	Sun gear
42	250.007.042	Cuscinetto	Bearing
43	250.007.043	Coperchio	Cover
44	250.007.044	Vite	Screw
45	250.007.045	Anello Flangiature	Ring



Tav. 08				
	DB2500	I	F	GB
Rif	Codice	Descrizione	Designation	Description
1	250.008.001	Perno sferico	Pivot spherique	Pin
2	250.008.002	Vite	Vis	Screw
3	250.008.003	Rondella	Rondelle	Washer
4	250.008.004	Leva	Levier	Lever
5	250.008.005	Molla	Ressort	Spring
6	250.008.006	Manicotto	Manchon	Sleeve
7	250.008.007	Cuscinetto reggispinta	Roulement	Bearing
8	250.008.008	Leva	Levier	Lever
9	250.008.009	Corpo frizione	Corps d'embrayage	Pressure plate assembly
10	250.008.010	Disco frizione	Disque d'embrayage	Cluch disc
11	250.008.011	Cuscinetto	Roulement	Bearing
12	250.008.012	Molla	Ressort	Spring



Tav. 09				
	DB2500	I	F	GB
Rif	Codice	Descrizione	Designation	Description
1	250.009.001	Flangia a 4 fori	Flaque a 4 trous	Flange 4 hole
2	250.009.002	Albero trasm.corto completo	Arbre de trasm.court.compl.	Compl.short trasm.shaft
3	250.009.003	Flangia a 8 fori	Flaque a 8 trous	Flange 8 hole
4	250.009.004	Flangia a 8 fori	Flaque a 8 trous	Flange 8 hole
5	250.009.005	Albero trasm.lungo completo	Arbre de trasm.long.compl.	Compl.long.trasm.shaft
6	250.009.006	Flangia a 4 fori	Flaque a 4 trous	Flange 4 hole
7	250.009.007	Crociera completa	Croisillon complete	Complete cross
8	250.009.008	Crociera completa	Croisillon complete	Complete cross

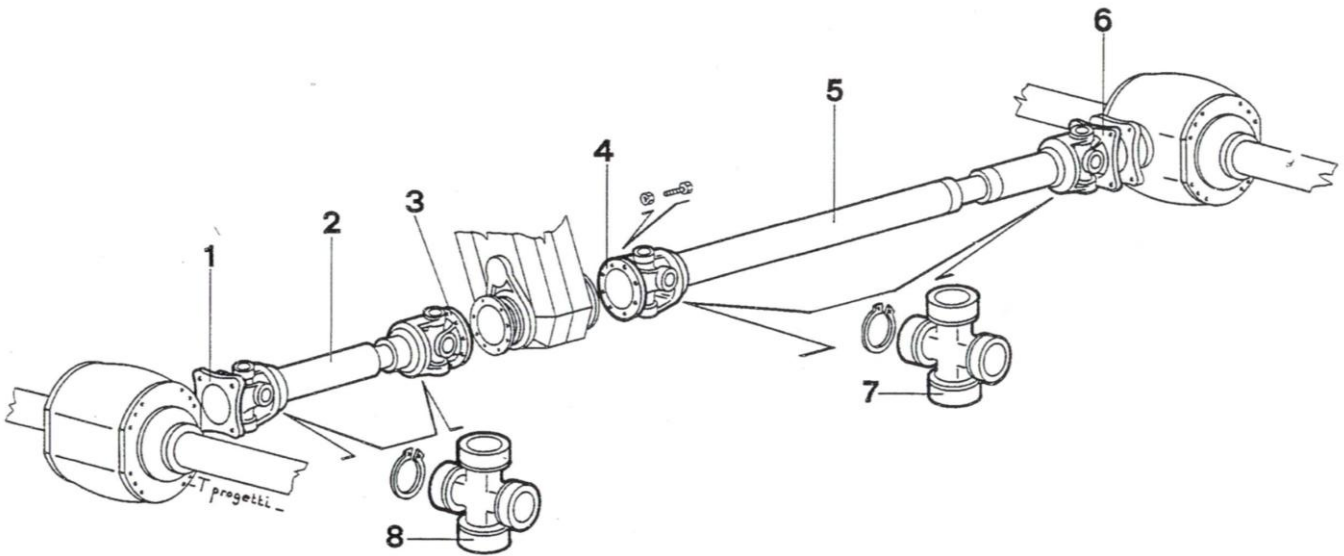


TAVOLA 10 SCATOLA DIFFERENZIALE 173 POST.MECC.

	TAV. 10	Scatola Differenziale		
		I	F	GB
Rif	CODICE	DESCRIZIONE	DESIGNATION	DESCRIPTION
32	V0216	Tappo protezione fil/foro D9		
33	V0990	Tappo spurgo M8		
34	07773.000.000	Bloccetto per MAN/SP olio Sx "A"		
35	Y0469	Vite TE STEI 4x6 12.9 UNI5923		
36	07773.000.000	Bloccetto per MAN/SP olio DX "A"		
37	I0103	Rond.Bis Rame 10x16x1,5		
38	V0858	Raccordo fil.metrica M10x1		
43	02415.100.000	Perno porta sat.for. + S.BT. "A"		
44	Z0086	Spina elastica 4x28 UNI-8752		
45	00079.010.000	Anello rasamento satellite "A"		
46	02411.100.000	Perno porta sat.cieco + S.BT. "A"		
47	04969.100.000	Satellite Z12		
48	04970.100.000	Crociera scatola differenz. "C"		
49	05136.002.065	Carcassa differenziale "D"		

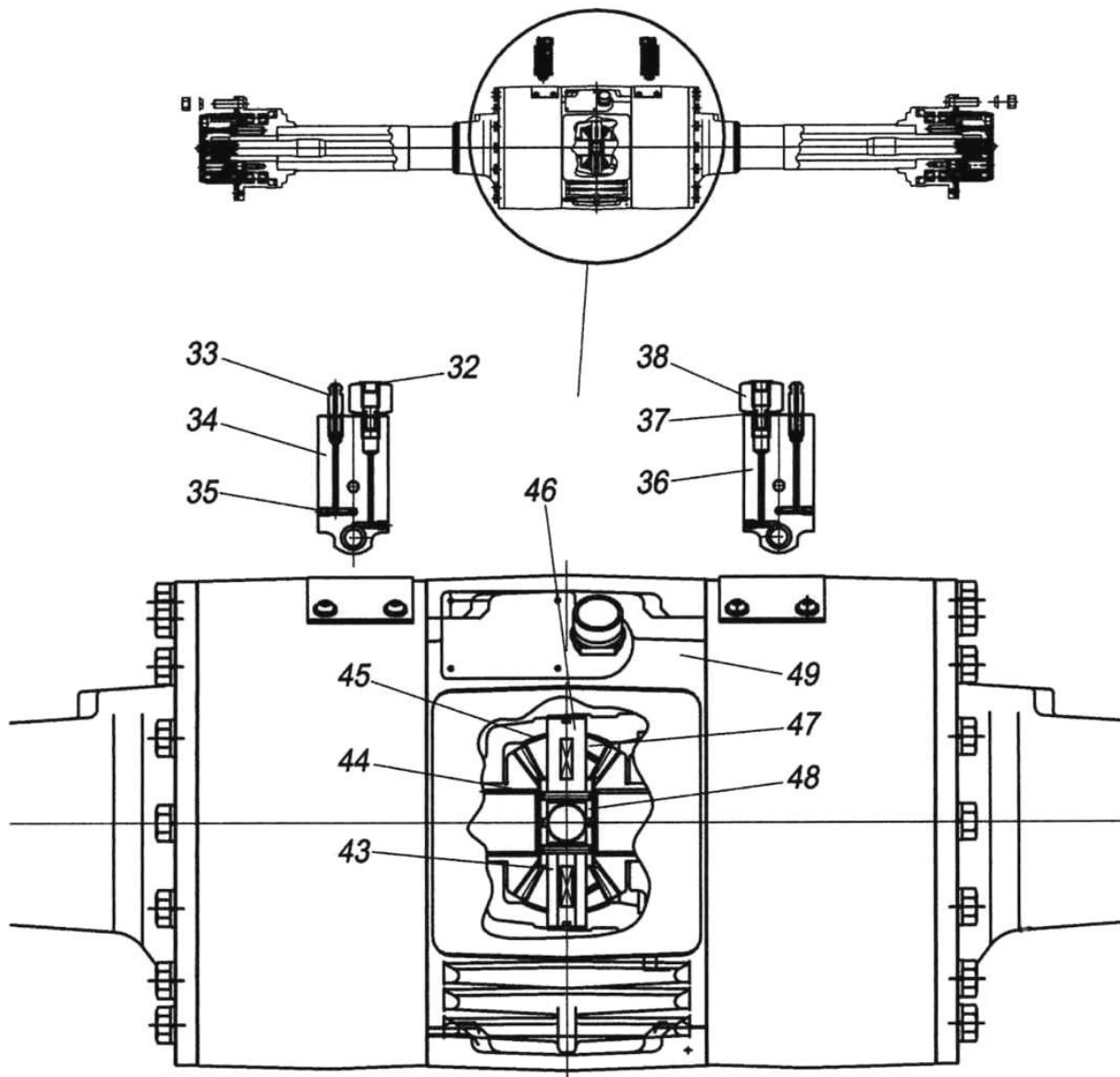


TAVOLA 11 LATERALE CARCASSA DIFFERENZIALE 173 POST.MECC.

	TAV. 11	Laterale carcassa Differenziale		
		I	F	GB
Rif	CODICE	DESCRIZIONE	DESIGNATION	DESCRIPTION
61	I0213	Rond.Bis. 6,4x12,5x1,6 UNI6592		
62	Y0470	Vite TBCE 6x16 10.9 ISO 7380		
63	07774.000.000	Lamierino di chiusura		
64	I0020	Rond.bis.alluminio 22x28x1,5		
65	V0920	Tappo sfiato con valvola M22x1,5		
66	V0018	Tappo conico STEI M22x1,5 DIN906		

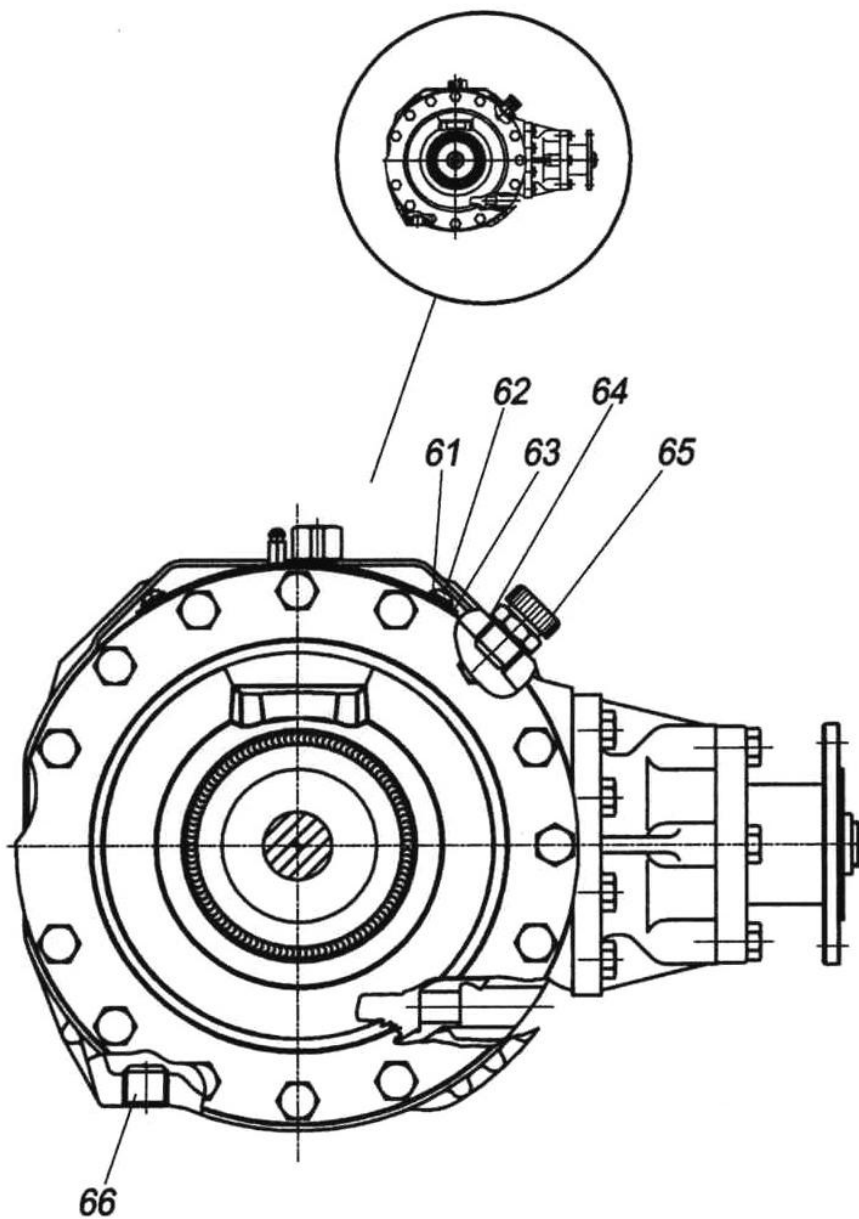


TAVOLA 12 DIFFERENZIALE 173 POST.MECC.

	TAV. 12	Differenziale		
		I	F	GB
Rif	CODICE	DESCRIZIONE	DESIGNATION	DESCRIPTION
1	00096.040.000	Guarniz.supporto pignone		
2	03003.100.000	Supporto pignone conico		
3	K0037	Cusc 32208 40x80x24,75 Rulli		
4	Y0159	Vite TE M12x35 10.9 UNI5739		
5	05434.000.000	Pignone conico Z8 Spiroidale "A"		
6	00081.000.000	Distanziale sul pignone		
7	I0042	Rond. PS 40x50x0,5 DIN 988		
8	00060.000.000	Coperchio supporto pignone		
9	W0011	Anello tenuta 60x75x8 AS (BASL)		
10	02752.000.000	Flangia accoppiamento DIN 120 "A"		
11	02766.001.000	Rondella tenuta flangia		
12	S0001	Dado autoblocc. 22x1,5 H19		
13	W0088	Anello OR 3087 (2-118) 21,89x2,62		
14	W0018	Anello OR147 (5-332) 42,86x3,53		
15	Y0001	Vite TE M10x30 8.8 UNI5739		
16	U0019	Seeger 40 UNI7435 40x1,75		
17	W0114	Anello tenuta 40x80x10 SC		
18	07820.000.000	Coperchietto porta cuscinetto		
19	K0133	Cusc 6208 2RS 40x80x18 Sfere		
20	02831.000.000	Distanziale tamburo-cuscinetto		
21	U0016	Seeger 80 UNI7437 80x2,5		
22	Y0025	Vite TCCE M8x25 8.8 UNI5931		
23	I0003	Rond Grower A12,5 UNI1751		
24	Y0176	Vite TE M12x170 8.8 UNI5737		
25	07775.100.000	Supporto freno a ganasce SX		
26	07775.110.000	Supporto freno a ganasce DX		
27	V0989-10	Massa FR200x40HS SX STAZ CL23,81		
28	V0988-10	Massa FR200x40HS DX STAZ CL23,81		
29	07772.000.000	Tamburo freno interno		
30	Y0120	Vite TE M12x40 UNI 5739		
39	W0095	Anello OR106(9-057) 6,75x1,78		
40	Y0008	Vite TE M6x20 8.8 UNI5739		
41	W0055	Anello OR114(5-613) 11,11x1,78		
42	V0287.1	Bullone forato M10x1		
50	W0252	Anello tenuta 38x72x10 BA		
51	K0062	Cusc 32211 55x100x26,75 Rulli		
52	I0079	Rond PS 55x68x0,5 DIN988		
53	00078.010.000	Anello rasamento planetario		
54	04968.010.000	Planetario Z20 "B"		
55	02881.100.000	Perno porta sat.con S.BT. "B"		
56	06909.000.000	S/Scatola diff.a 4 Satelliti "D"		
57	05435.000.000	Corona conica Z35 Spiroidale "A"		
58	05513.000.000	Coperchio scatola diff. "F"		
59	Z0031	Spina spirol 10x30 DIN7343		
60	Y0190	Vite TE M10x35 10.9 UNI5737		

TAVOLA 12 DIFFERENZIALE 173 POST.MECC.

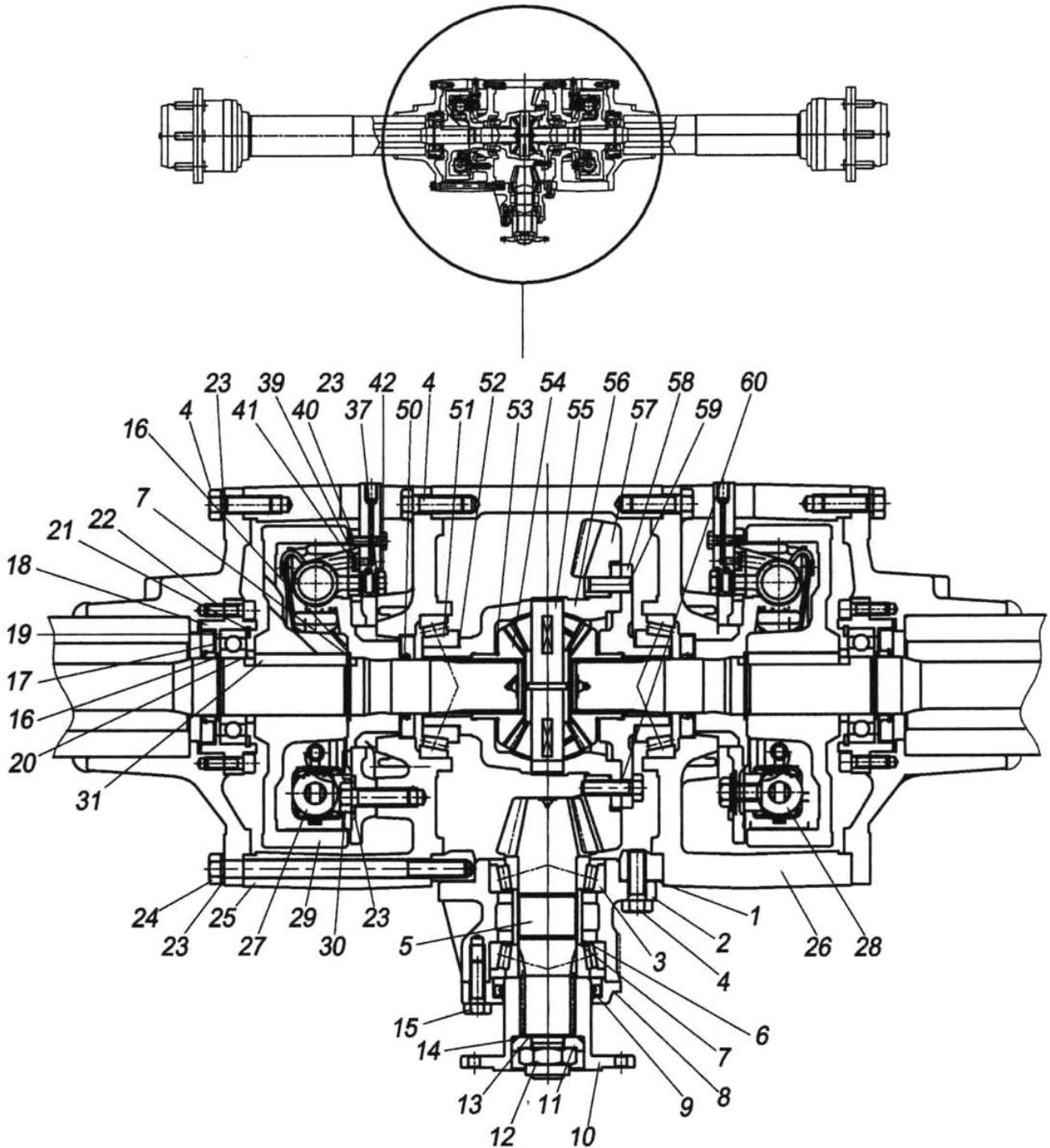


TAVOLA 13 MOZZO SX DIFFERENZIALE 173 POST MECC.

	TAV. 13	Mozzo differenziale		
		I	F	GB
Rif	CODICE	DESCRIZIONE	DESIGNATION	DESCRIPTION
67	07976.000.000	Montaggio s/assale sterz DX(825)		
68	07976.100.000	Montaggio s/assale sterz SX(825)		
69	07970.000.000	S/Assale fis L858,5 Z15 S/Carr.850		
70	S0064	Dado ES.B 18x1,5 8G H18 DIN74361		
71	I0136	Rond.elast.C18,5 DIN74361		
72	04977.100.000	Colonna M18x1,5x68 10.9		
73	U0097	Seeger SB 130x2,5		
74	07004.000.000	Supporto porta satelliti "A"		
75	06872.050.000	Anello porta cor.flott. Z42 "C"		
76	06864.000.000	Mozzo ruota "A"		
77	06866.050.000	Corona riduttore Z42 "A"		
78	I0254	Rond PS 105x130x1 DIN988		
79	06863.010.000	Spina ancoraggio porta corona		
80	K0208	Cusc 37431°-37625 Rulli		
81	W0336	Anello tenuta 140x170x13 BASL		
82	V0703	Tappo olio TCCE M22x1,5 DIN908		
83	06941.000.000	Rondella rasamento semiasse		
84	V0349-10	Tappo sfiato olio M10x1 Nostrali		
85	U0112	Seeger 18 UNI 3654 18x1		
86	06869.000.000	Ingr. Satellite Z13 RP.=3,800:1		
87	06874.000.000	Ralla di rasamento Satellite		
88	06862.010.000	Perno porta Satellite "A"		
89	K0209	Gabbia rullini K18x24x20		
90	Y0250	Vite TCCE M12x35 12.9 UNI5931		
91	W0221	Anello OR3600(2-163) 152,07x2,62		
92	Y0410	Vite TSEI M10x20 10.9 UNI5933		

TAVOLA 13 MOZZO SX DIFFERENZIALE 173 POST MECC.

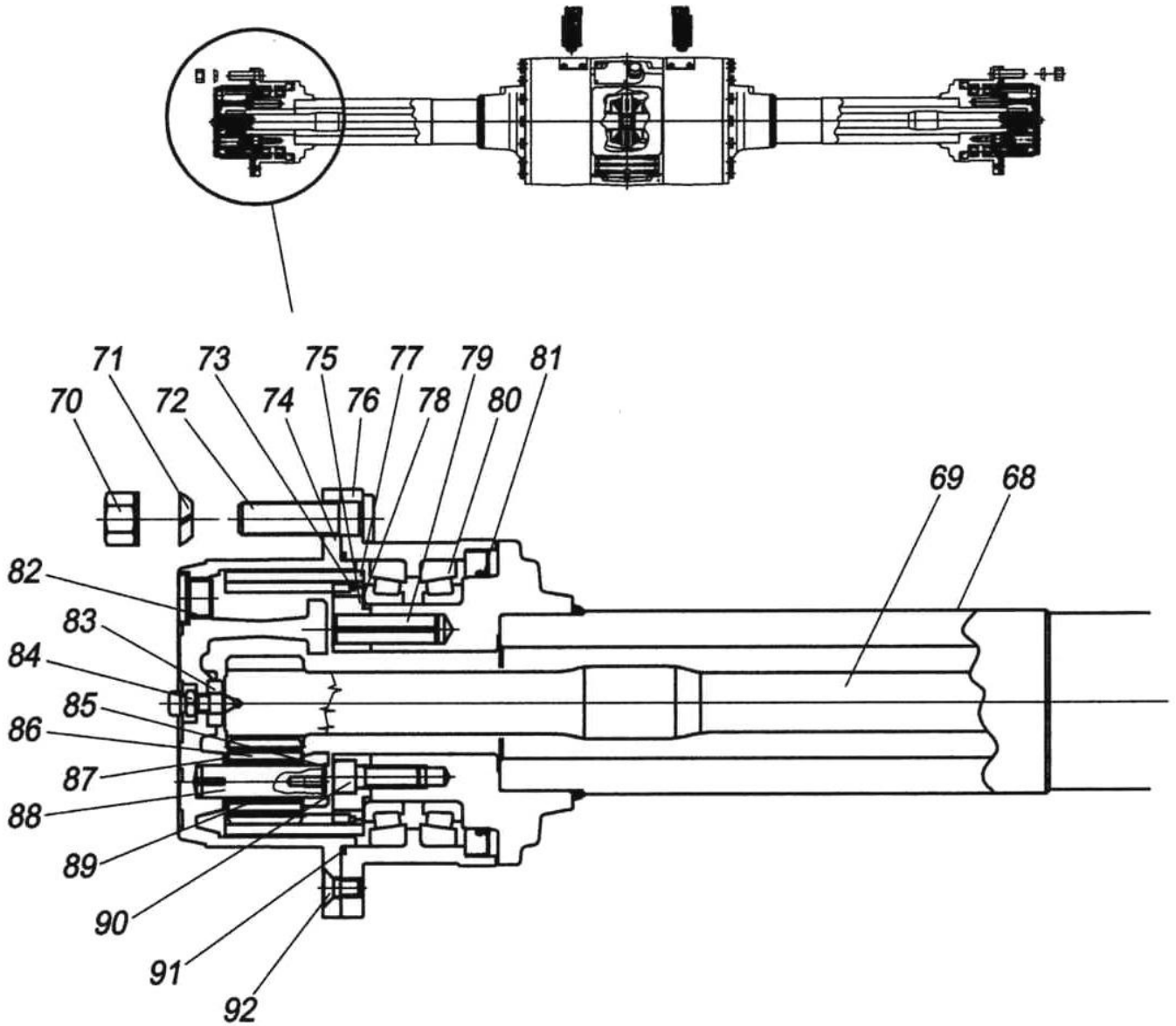


TAVOLA 14 SCATOLA DIFFERENZIALE 173 ANTER. MECC.

	TAV. 14	Scatola Differenziale		
		I	F	GB
Rif	CODICE	DESCRIZIONE	DESIGNATION	DESCRIPTION
32	V0216	Tappo protezione fil/foro D9		
33	V0990	Tappo spurgo M8		
34	07773.010.000	Blocchetto per MAN/SP Olio Sx "A"		
35	Y0469	Vite STEI 4x6 12.9 UNI5923		
36	07773.000.000	Blocchetto per MAN/SP Olio Dx "A"		
37	I0103	Rond.bis.Rame 10x16x1,5		
38	V0858	Raccordo fil.Metrica M10x1		
43	02415.100.000	Perno porta sat.for. + S.BT. "A"		
44	Z0086	Spina elastica 4x28 UNI-8752		
45	00079.010.000	Anello rasamento satellite "A"		
46	02411.100.000	Perno porta sat.cieco + S.BT. "A"		
47	04969.100.000	Satellite Z12		
48	04970.100.000	Crociera scatola diff. "C"		
49	05136.002.065	Carcassa differenziale "D"		

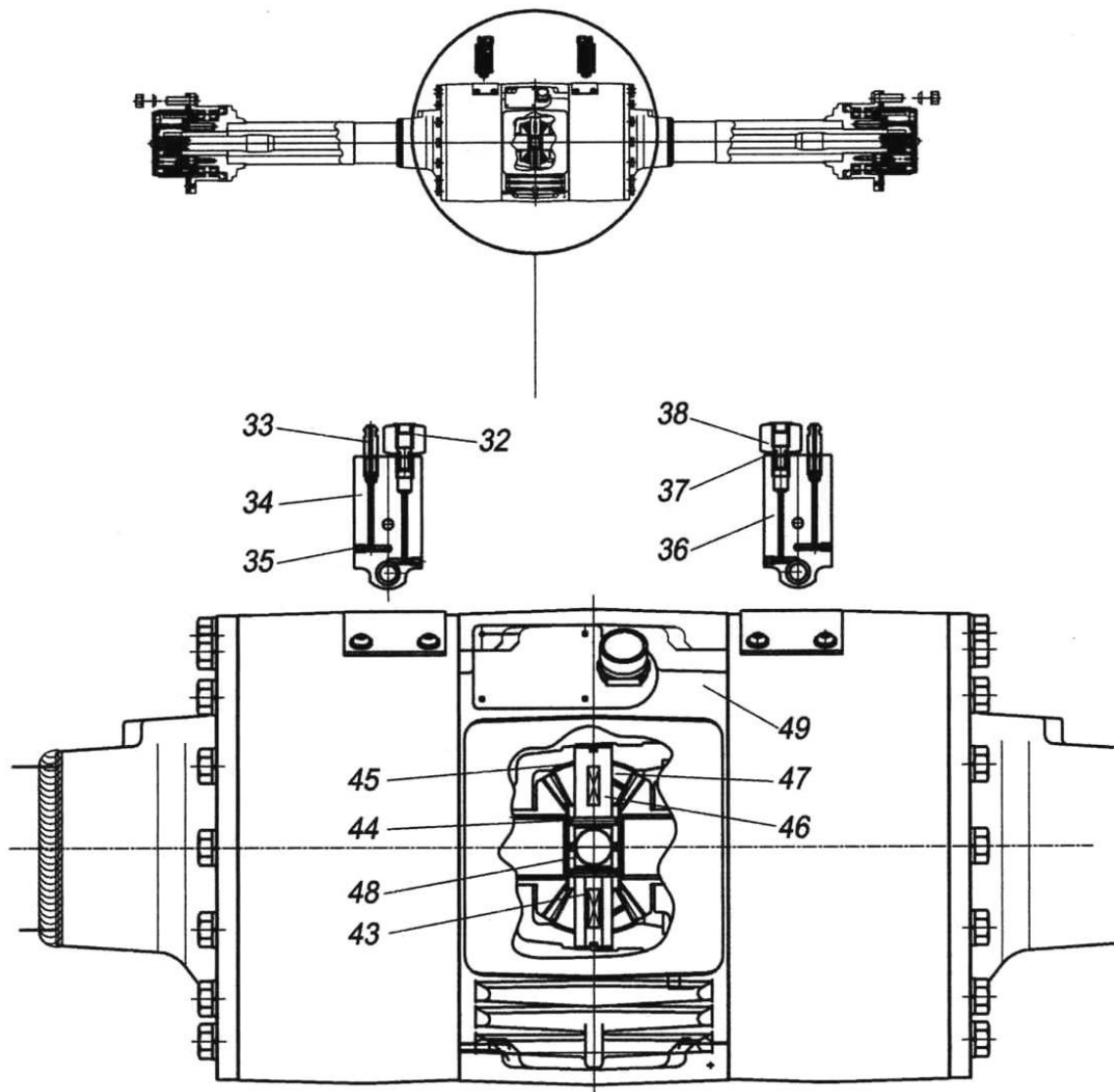


TAVOLA 15 LATERALE CARCASSA DIFFERENZIALE 173 ANTER. MECC.

TAV. 15		Laterale carcassa Differenziale		
Rif	CODICE	DESCRIZIONE	F	GB
			DESIGNATION	DESCRIPTION
61	I0213	Rond.Bis. 6,4x12,5x1,6 UNI6592		
62	Y0470	Vite TBCE 6x16 10.9 ISO 7380		
63	07774.000.000	Lamierino di chiusura		
64	I0020	Rond.Bis. Alluminio 22x28x1,5		
65	V0920	Tappo sfiato con valvola M22x1,5		
66	V0018	Tappo conico STEI M22x1,5 DIN906		
67	U0119	Seeger RS 10 DIN 6799		
68	07819.000.000	Boccola Nylon Fits freno staz.		
69	07828.200.000	Cavo freno massa FR200x40		

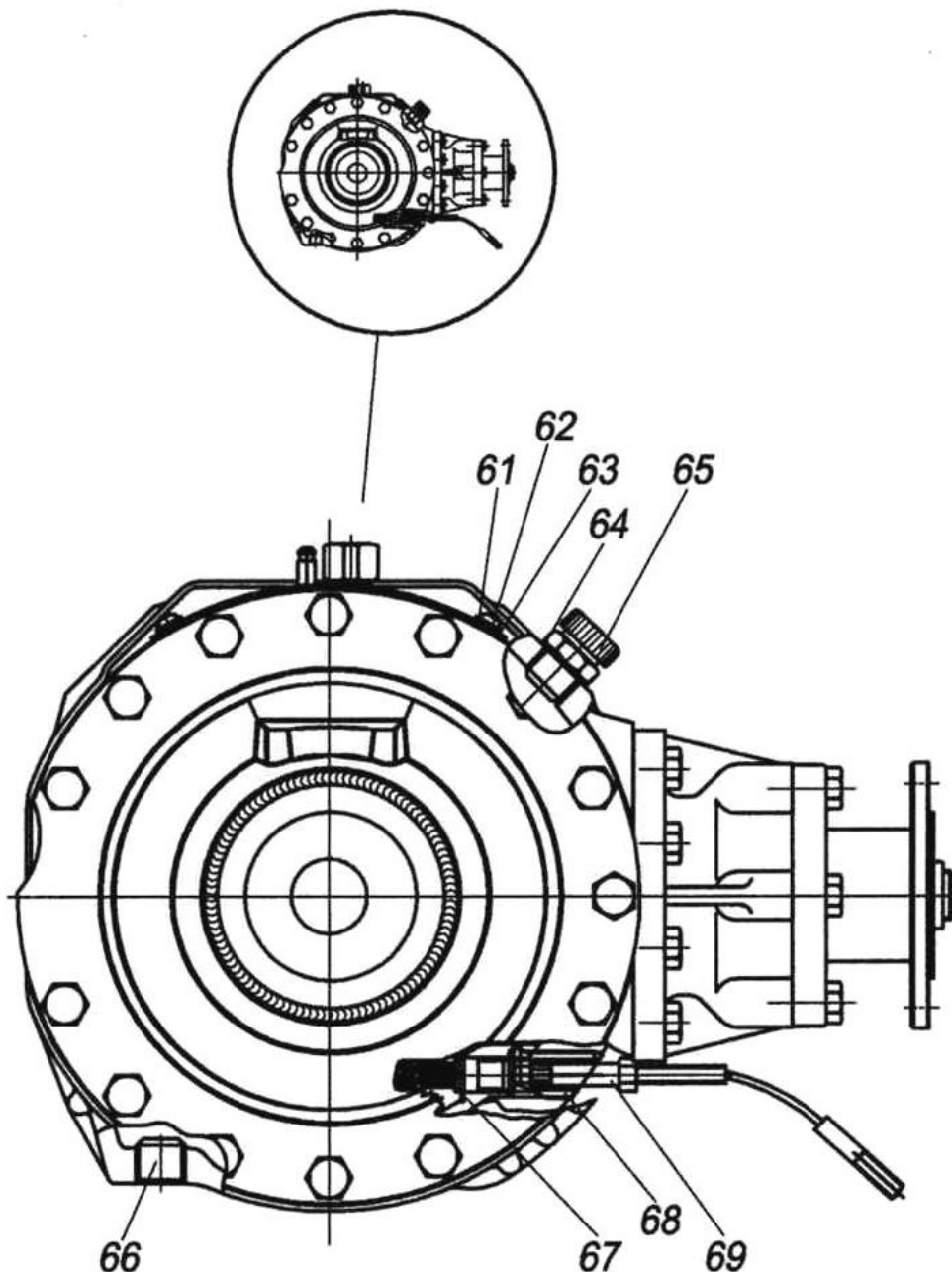


TAVOLA 16 DIFFERENZIALE 173 ANTER. MECC.

	TAV. 16	Differenziale		
		I	F	GB
Rif	CODICE	DESCRIZIONE	DESIGNATION	DESCRIPTION
1	00096.040.000	Guarniz.supporto pignone		
2	03003.100.000	Supporto pignone conico		
3	K0037	Cusc 32208 40x80x24,75 Rulli		
4	Y0159	Vite TE M12x35 10.9 UNI5739		
5	05434.000.000	Pignone conico Z8 Spiroidale "A"		
6	00081.000.000	Distanziale sul pignone		
7	I0042	Rond PS 40x50x0,5 DIN 988		
8	00060.000.000	Coperchio supporto pignone "C"		
9	W0011	Anello tenuta 60x75x8 AS (BASL)		
10	02752.000.000	Flangia accoppiamento DIN 120 "A"		
11	02766.001.000	Rondella tenuta flangia		
12	S0001	Dado Autobloc M22x1,5 H19		
13	W0088	Anello OR 3087 (2-118) 21,89x2,62		
14	W0018	Anello OR147 (5-332) 42,86x3,53		
15	Y0001	Vite TE M10x30 8.8 UNI5739		
16	U0019	Seeger 40 UNI7435 40x1,75		
17	W0114	Anello tenuta 40x80x10 SC		
18	07820.000.000	Coperchietto porta cuscinetto		
19	K0133	Cusc 6208 2RS 40x80x18 Sfere		
20	02831.000.000	Distanziale tamburo-cusc.		
21	U0016	Seeger 80 UNI7437 80x2,5		
22	Y0025	Vite TCCE M8x25 8.8 UNI5931		
23	I0003	Rond.Grower A12,5 UNI1751		
24	Y0176	Vite TE M12x170 8.8 UNI5737		
25	07775.100.000	Supporto freno a ganasce Sx		
26	07775.110.000	Supporto freno a ganasce Dx		
27	V0989-10	Massa FR200x40HS SX Staz CL23,81		
28	V0988-10	Massa FR200x40HS DX Staz CL23,81		
29	07772.000.000	Tamburo freno interno		
30	Y0120	Vite TE M12x40 UNI 5739		
31	J0021-1	Linguetta 10x8x63 UNI6604		
37	I0103	Rond.Bis.Rame 10x16x1,5		
39	W0095	Anello OR106(9-057) 6,75x1,78		
40	Y0008	Vite TE M6x20 8.8 UNI5739		
41	W0055	Anello OR114(5-613) 11,11x1,78		
42	V0287.1	Bullone forato M10x1		
50	W0252	Anello tenuta 38x72x10 BA		
51	K0062	Cusc 32211 55x100x26,75 Rulli		
52	I0079	Rond PS 55x68x0,5 DIN988		
53	00078.010.000	Anello rasamento planetario		
54	04968.010.000	Planetario Z20 "B"		
55	02881.100.000	Perno porta sat.con S.BT. "B"		
56	06909.000.000	S/Scatola diff.a 4 satelliti "D"		
57	05435.000.000	Corona conica Z35 Spiroidale "A"		
58	05513.000.000	Coperchio scatola diff. "F"		
59	Z0031	Spina Spirol 10x30 DIN7343		
60	Y0190	Vite TE M10x35 10.9 UNI5737		

TAVOLA 16 DIFFERENZIALE 173 ANTER. MECC.

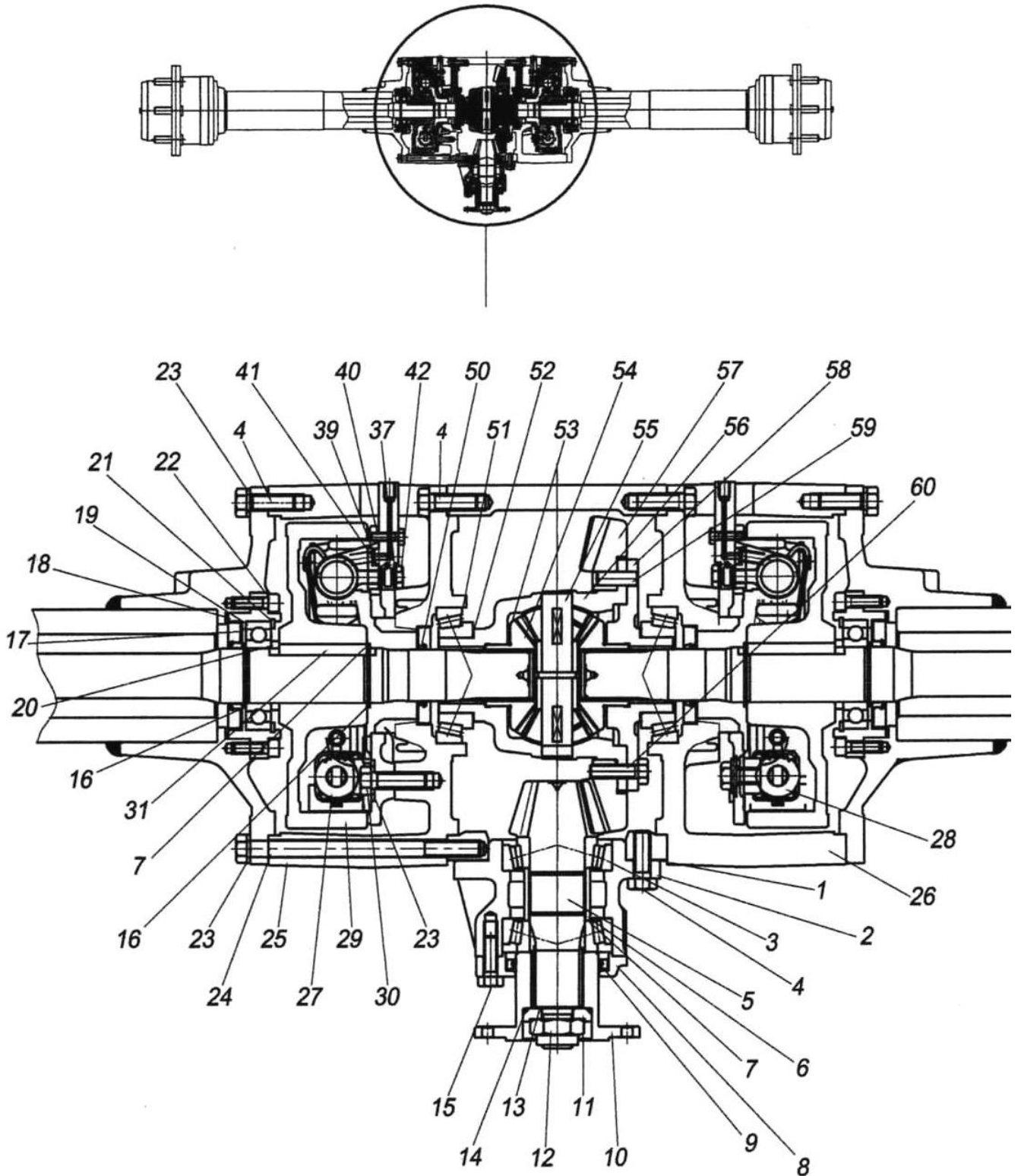
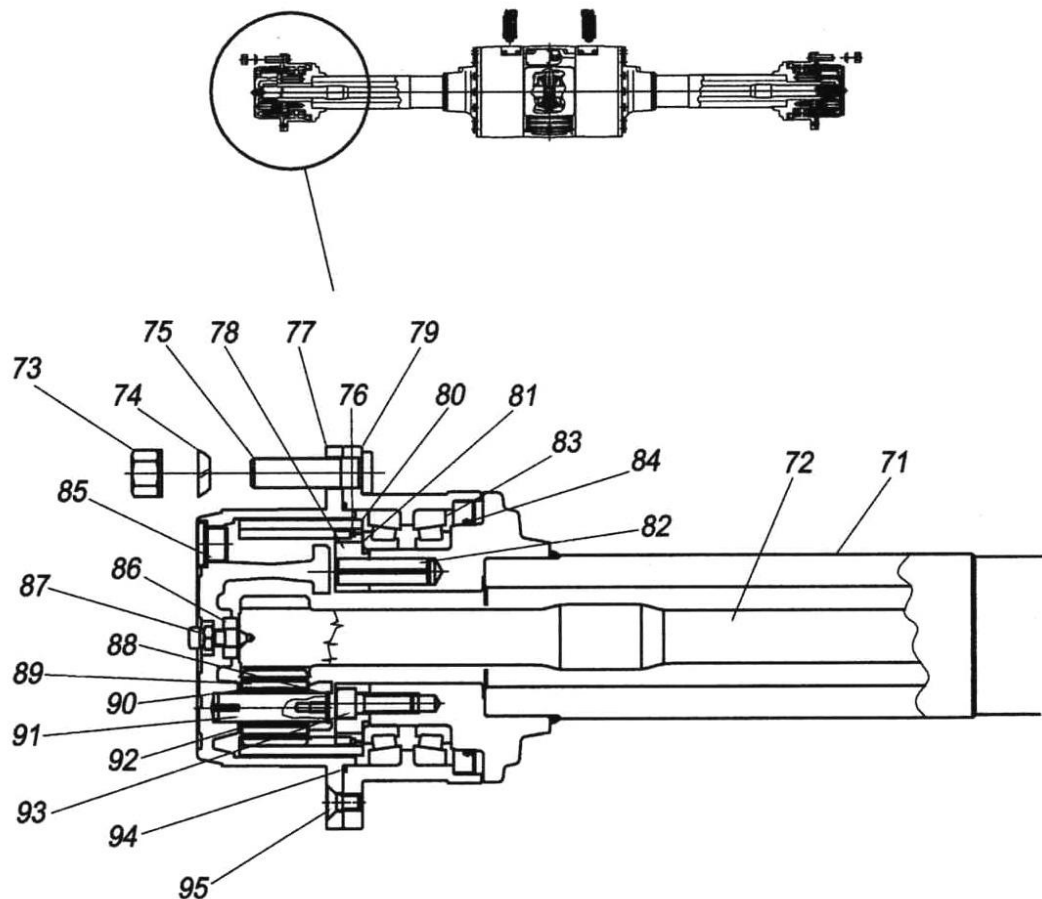


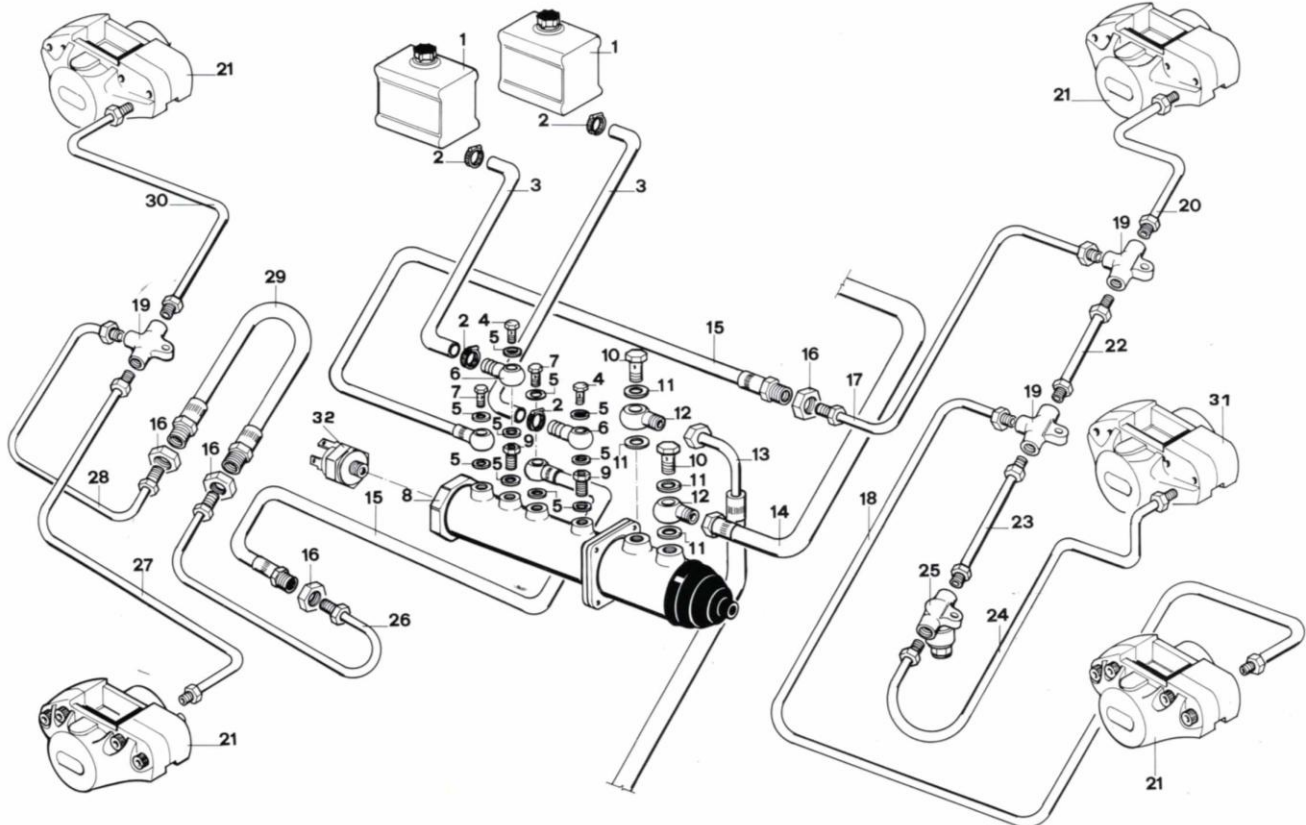
TAVOLA 17 MOZZO SX DIFFERENZIALE 173 ANTER. MECC.

	TAV. 17	Mozzo differenziale		
		I	F	GB
Rif	CODICE	DESCRIZIONE	DESIGNATION	DESCRIPTION
70	07976.000.000	Montaggio s/assale sterz Dx(825)		
71	07976.100.000	Montaggio s/assale sterz Sx(825)		
72	07970.000.000	S/Assale fis L858,5 Z15 S/Carr.850		
73	S0064	Dado ES.B 18x1,5 8G H18 DIN74361		
74	I0136	Rond elast C18,5 DIN74361		
75	04977.100.000	Colonna M18x1,5x68 10.9		
76	U0097	Seeger SB 130x2,5		
77	07004.000.000	Supporto porta satelliti "A"		
78	06872.050.000	Anello porta cor.flott. Z42 "C"		
79	06864.000.000	Mozzo ruota "A"		
80	06866.050.000	Corona riduttore Z42 "A"		
81	I0254	Rond PS 105x130x1 DIN988		
82	06863.010.000	Spina ancoraggio porta corona		
83	K0208	Cusc 37431°-37625 Rulli		
84	W0336	Anello tenuta 140x170x13 BASL		
85	V0703	Tappo olioA TCCE M22x1,5 DIN908		
86	06941.000.000	Rondella rasamento semiasse		
87	V0349-10	Tappo sfiato olio M10x1 Nostrali		
88	U0112	Seeger 18 UNI 3654 18x1		
89	06869.000.000	Ingr. Satellite Z13 RP.=3,800:1		
90	06874.000.000	Ralle di rasamento Satellite		
91	06862.010.000	Perno porta satellite "A"		
92	K0209	Gabbia rullini K18x24x20		
93	Y0250	Vite TCCE M12x35 12.9 UNI5931		
94	W0221	Anello OR3600(2-163) 152,07x2,62		
95	Y0410	Vite TSEI M10x20 10.9 UNI5933		

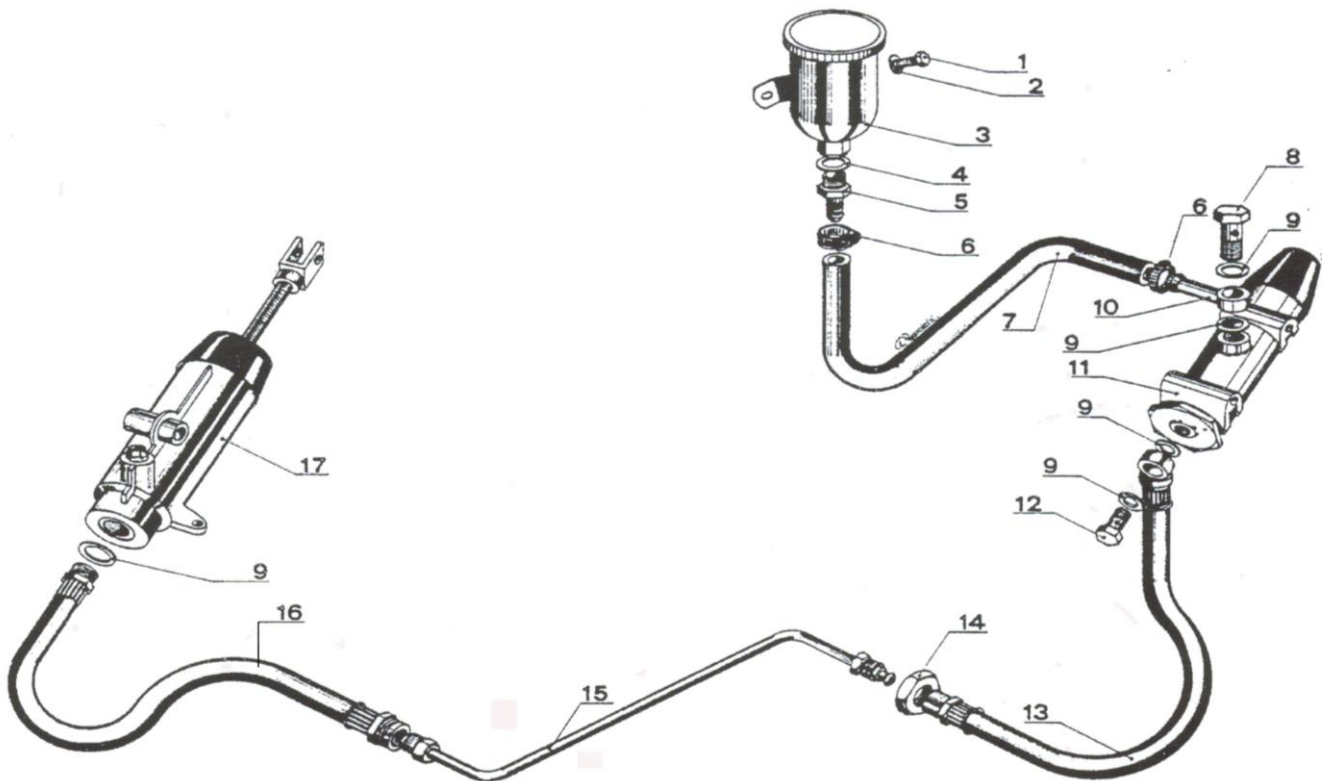
TAVOLA 17 MOZZO SX DIFFERENZIALE 173 ANTER. MECC.



Tav. 18		Impianto frenatura	Installation de freinage	Brake installation
DB2500		I	F	GB
Rif	Codice	DESCRIZIONE	DESIGNATION	DESCRIPTION
1	250.018.001	Serbatoio	Reservoir	Tank
2	250.018.002	Fascetta serratubo	Bague de serrage	Hose clamp
3	250.018.003	Tubo flessib.	Tuyau flexible	Hose
4	250.018.004	Vite forata	Vis trouee	Bored screw
5	250.018.005	Rondella	Rondelle	Washer
6	250.018.006	Raccordo a occhio	Raccord	Eye nipple
7	250.018.007	Vite forata	Vis trouee	Bored screw
8	250.018.008	Pompa freni	Pompe frein	Brake pump
9	250.018.009	Raccordo di riduzione	Raccord	Nipple
10	250.018.010	Vite forata	Vis trouee	Bored screw
11	250.018.011	Rondella	Rondelle	Washer
12	250.018.012	Raccordo a occhio	Raccord	Eye nipple
13	250.018.013	Tubo flessib.	Tuyau flexible	Hose
14	250.018.014	Tubo flessib.	Tuyau flexible	Hose
15	250.018.015	Tubo flessib.	Tuyau flexible	Hose
16	250.018.016	Dado	Ecrou	Nut
17	250.018.017	Tubo rigido	Tuyau en cuivre	Tube
18	250.018.018	Tubo flessib.	Tuyau flexible	Hose
19	250.018.019	Raccordo a 3 vie	Connection	Connection
20	250.018.020	Tubo rigido	Tuyau en cuivre	Tube
21	250.018.021	Pinza idraulica freno ruota	Pince hydraulique frein roue	Hydraulic caliper
22	250.018.022	Tubo rigido	Tuyau en cuivre	Tube
23	250.018.023	Tubo rigido	Tuyau en cuivre	Tube
24	250.018.024	Tubo rigido	Tuyau en cuivre	Tube
25	250.018.025	Valvola imitatrice di pressione	Soupape limitative de pression	Pressure limiter valve
26	250.018.026	Tubo rigido	Tuyau en cuivre	Tube
27	250.018.027	Tubo rigido	Tuyau en cuivre	Tube
28	250.018.028	Tubo rigido	Tuyau en cuivre	Tube
29	250.018.029	Tubo flessib.	Tuyau flexible	Hose
30	250.018.030	Tubo rigido	Tuyau en cuivre	Tube
31	250.018.031	Pinza idraulica freno (5° pinza)	Pince hydraulique frein (5° pince)	Hydraulic caliper (5° caliper)
32	250.018.032	Pressostato	Supape de pression	Pressure valve



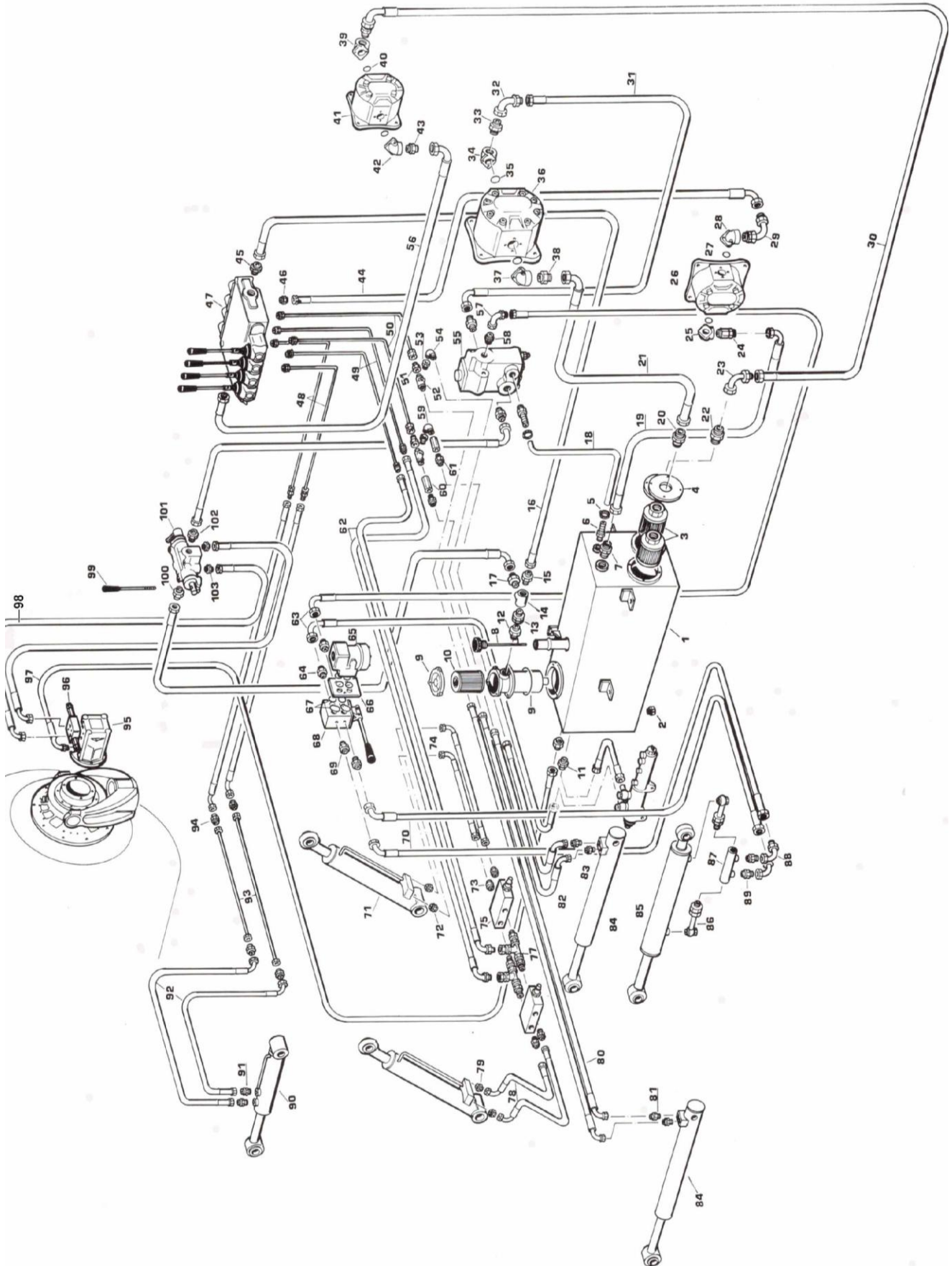
Tav. 19		Impianto frizione	Système d'embrayage	Clutch system
DB2500		I	F	GB
Rif	Codice	Descrizione	Designation	Description
1	250.019.001	Vite	Vis	Screw
2	250.019.002	Rondella	Rondelle	Washer
3	250.019.003	Serbatoio	Reservoir	Tank
4	250.019.004	Rondella	Rondelle	Washer
5	250.019.005	Raccordo	Raccord	Nipple
6	250.019.006	Fascetta serratubo	Bague de serrage	Hose clamp
7	250.019.007	Tubo	Tuyau en cuivre	Hose
8	250.019.008	Vite forata	Vis trouee	Bored screw
9	250.019.009	Rondella	Rondelle	Washer
10	250.019.010	Raccordo a occhio	Raccord	Connection
11	250.019.011	Pompa frizione	Pompe embrayage	Clutch pump
11A	250.019.011A	Kit guarnizioni pompa	Kit garnitures pompe	Pump packing kit
12	250.019.012	Vite forata	Vis trouee	Bored screw
13	250.019.013	Tubo flessib.	Tuyau flexible	Flexible hose
14	250.019.014	Dado	Ecrou	Nut
15	250.019.015	Tubo rigido	Tuyau en cuivre	Tube
16	250.019.016	Tubo flessib.	Tuyau flexible	Flexible hose
17	250.019.017	Cilindretto frizione	Cylindre embrayage	Clutch cylinder
17A	250.019.017A	Kit guarnizioni cilindretto	Kit garnitures cylindre	Cylinder packing kit



Tav. 20		Impianto oleodinamico	Système hydraulique	hydraulic system
	DB2500	I	F	GB
Rif	Codice	Descrizione	Designation	Description
1	250.020.001	Serbatoio olio	Reservoir	Oil tank
2	250.020.002	Tappo di scarico	Bouchon	Oil cap
3	250.020.003	Filtro di aspirazione	Filtre	Suction filter
4	250.020.004	Flangia	Flasque	Flange
5	250.020.005	Fascia serratubo	Bague de serrage	Hose clamp
6	250.020.006	Raccordo portagomma	Raccord	Hose holder
7	250.020.007	Raccordo	Raccord	Nipple
8	250.020.008	Tappo carico olio	Bouchon	Oil cap
9	250.020.009	Filtro scarico	Filtre	Filter
10	250.020.010	Cartuccia filtro	Cartouche filtre	Filter element
11	250.020.011	Raccordo	Raccord	Nipple
12	250.020.012	Raccordo	Raccord	Nipple
13	250.020.013	Raccordo	Raccord	Nipple
14	250.020.014	Raccordo T	Raccord T	Nipple T
15	250.020.015	Raccordo	Raccord	Nipple
16	250.020.016	Tubo flessibile	Tuyau flexible	Flexible hose
17	250.020.017	Raccordo	Raccord	Nipple
18	250.020.018	Tubo flessibile	Tuyau flexible	Flexible hose
19	250.020.019	Tubo flessibile	Tuyau flexible	Flexible hose
20	250.020.020	Raccordo	Raccord	Nipple
21	250.020.021	Tubo flessibile	Tuyau flexible	Flexible hose
22	250.020.022	Raccordo	Raccord	Nipple
23	250.020.023	Raccordo	Raccord	Nipple
24	250.020.024	Raccordo	Raccord	Nipple
25	250.020.025	Raccordo a flangia	Raccord a flasque	Elbow connection
26	250.020.026	Pompa	Pompe	Pump
27	250.020.027	Anello OR	Joint OR	O Ring
28	250.020.028	Raccordo a flangia	Raccord a flasque	Elbow connection
29	250.020.029	Raccordo	Raccord	Nipple
30	250.020.030	Tubo flessibile	Tuyau flexible	Flexible hose
31	250.020.031	Tubo flessibile	Tuyau flexible	Flexible hose
32	250.020.032	Raccordo	Raccord	Nipple
33	250.020.033	Raccordo	Raccord	Nipple
34	250.020.034	Raccordo a flangia	Raccord a flasque	Elbow connection
35	250.020.035	Anello OR	Joint OR	O Ring
36	250.020.036	Pompa	Pompe	Pump
37	250.020.037	Raccordo a flangia	Raccord a flasque	Elbow connection
38	250.020.038	Raccordo	Raccord	Nipple
39	250.020.039	Raccordo a flangia	Raccord a flasque	Elbow connection
40	250.020.040	Anello OR	Joint OR	O Ring
41	250.020.041	Pompa	Pompe	Pump
42	250.020.042	Raccordo a flangia	Raccord a flasque	Elbow connection
43	250.020.043	Raccordo	Raccord	Nipple
44	250.020.044	Tubo flessibile	Tuyau flexible	Flexible hose
45	250.020.045	Raccordo	Raccord	Nipple
46	250.020.046	Raccordo	Raccord	Nipple
47	250.020.047	Distributore	Distributeur	Distributor
48	250.020.048	Tubo rigido	Tuyau en acier	Jack closure skip
49	250.020.049	Tubo rigido	Tuyau en acier	Jack closure skip
50	250.020.050	Tubo rigido	Tuyau en acier	Jack closure skip
51	250.020.051	Raccordo	Raccord	Nipple
52	250.020.052	Raccordo T	Raccord T	Nipple T
53	250.020.053	Raccordo	Raccord	Nipple
54	250.020.054	Raccordo 90°	Raccord 90°	Nipple 90°
55	250.020.055	Divisore di flusso	Separateur de debit	Flow divider
56	250.020.056	Tubo flessibile	Tuyau flexible	Flexible hose
57	250.020.057	Raccordo	Raccord	Nipple
58	250.020.058	Raccordo	Raccord	Nipple
59	250.020.059	Raccordo 90°	Raccord 90°	Nipple 90°
60	250.020.060	Raccordo	Raccord	Nipple
61	250.020.061	Raccordo	Raccord	Nipple
62	250.020.062	Tubo flessibile	Tuyau flexible	Flexible hose
63	250.020.063	Tubo flessibile	Tuyau flexible	Flexible hose
64	250.020.064	Raccordo	Raccord	Nipple
65	250.020.065	Idroguida	Dispositif de direction	Hydraulic Steering
66	250.020.066	Piastra	Plaque	Plate

Tav. 20		Impianto oleodinamico	Système hydraulique	hydraulic system
	DB1200	I	F	GB
Rif	Codice	Descrizione	Designation	Description
67	250.020.067	Anello OR	Joint OR	O Ring
68	250.020.068	Deviatore di flusso	Inverseur de debit	Flow inverter
69	250.020.069	Raccordo	Raccord	Nipple
70	250.020.070	Tubo flessibile	Tuyau flexible	Flexible hose
71	250.020.071	Martinetto sollevamento vasca	Verin soulevement cuve	Hydraulic jack lifting tank
72	250.020.072	Raccordo	Raccord	Nipple
73	250.020.073	Raccordo	Raccord	Nipple
74	250.020.074	Tubo flessibile	Tuyau flexible	Flexible hose
75	250.020.075	Valvola	Soupape	Valve
76	250.020.076	Raccordo T	Raccord T	Nipple T
77	250.020.077	Raccordo	Raccord	Nipple
78	250.020.078	Tubo flessibile	Tuyau flexible	Flexible hose
79	250.020.079	Raccordo	Raccord	Nipple
80	250.020.080	Tubo flessibile	Tuyau flexible	Flexible hose
81	250.020.081	Raccordo	Raccord	Nipple
82	250.020.082	Tubo flessibile	Tuyau flexible	Flexible hose
83	250.020.083	Raccordo	Raccord	Nipple
84	250.020.084	Martinetto sollevamento benna	Verin soulevement benne	Hydraulic jack lifting skip
85	250.020.085	Martinetto sterzo	Verin de direction	Steering cylinder
86	250.020.086	Raccordo	Raccord	Nipple
87	250.020.087	Valvola	Soupape	Valve
88	250.020.088	Raccordo	Raccord	Nipple
89	250.020.089	Raccordo	Raccord	Nipple
90	250.020.090	Martinetto chiusura benna	Verin fermeture benne	Jack closure skip
91	250.020.091	Raccordo	Raccord	Nipple
92	250.020.092	Tubo flessibile	Tuyau flexible	Flexible hose
93	250.020.093	Tubo rigido	Tuyau en acier	Jack closure skip
94	250.020.094	Raccordo	Raccord	Nipple
95	250.020.095	Motore Danfoss	Moteur Danfoss	Danfoss engine
96	250.020.096	Valvola	Soupape	Valve
97	250.020.097	Tubo flessibile	Tuyau flexible	Flexible hose
98	250.020.098	Tubo flessibile	Tuyau flexible	Flexible hose
99	250.020.099	Leva	Levier	Lever
100	250.020.100	Raccordo	Raccord	Nipple
101	250.020.101	Distributore Brand	Distributeur Brand	Brand Distributor
102	250.020.102	Raccordo	Raccord	Nipple
103	250.020.103	Raccordo	Raccord	Nipple

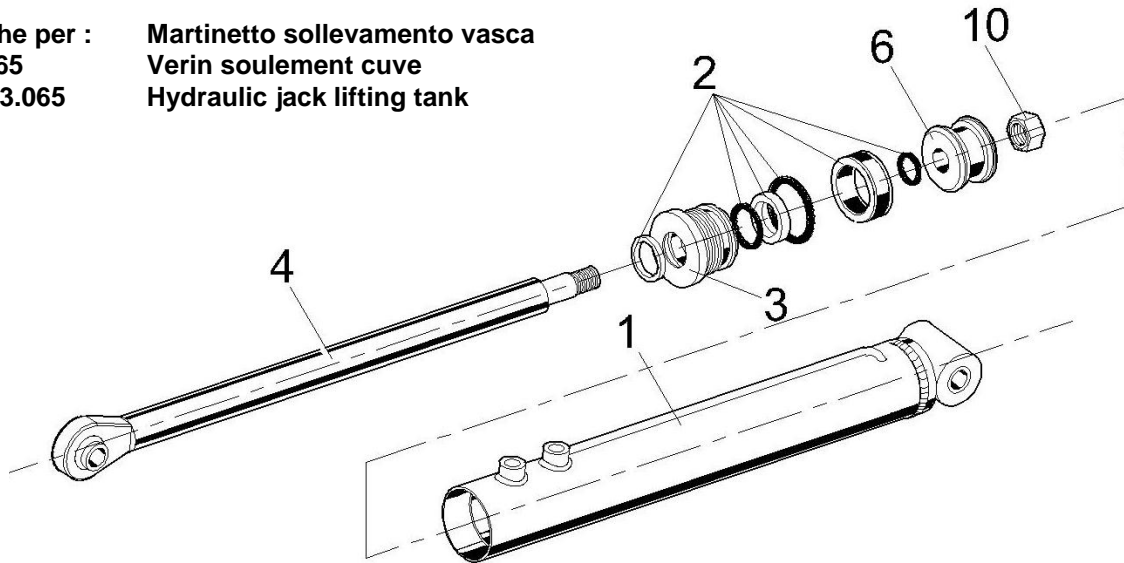
TAV.20



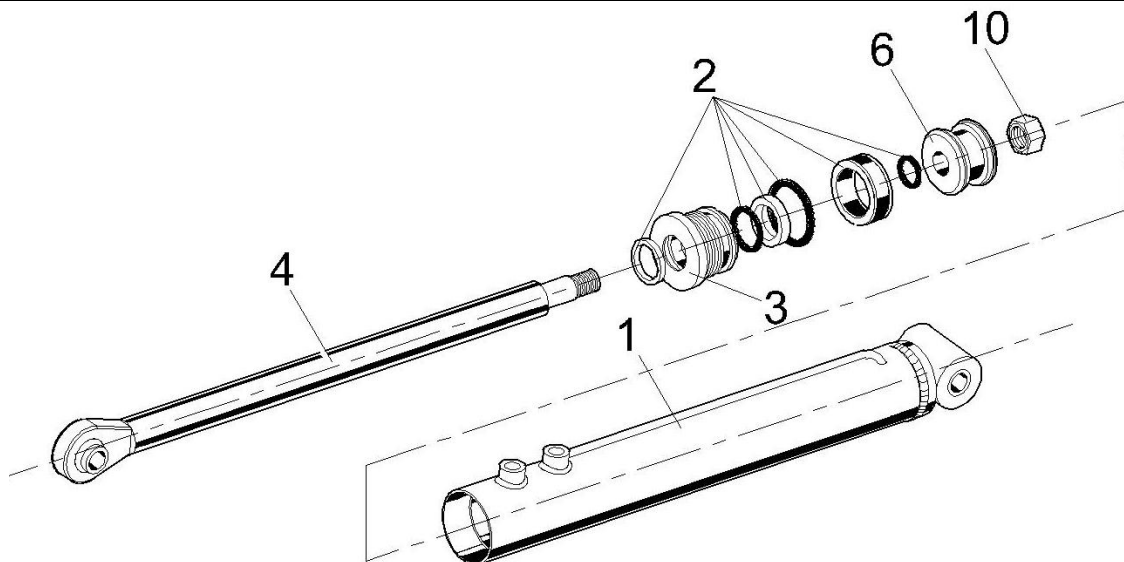
Tav. 21 (tav.20 Fig.71 cod.250.020.71)		Martinetto sollevamento benna	Verin soulement benne	Hydraulic jack lifting skip
DB2000		I	F	GB
Rif	Codice	Descrizione	Designation	Description
1	250.021.001	Corpo cilindro	Corps du cylindre	Cylinder
2	250.021.002	Kit Guarnizioni	Kit joint	Packing kit
3	250.021.003	Guida cilindro	Manchon	Locking sleeve
4	250.021.004	Stelo	Tige	Piston rod
6	250.021.006	Pistone	Piston	Piston
10	250.021.010	Dado	Ecrou	Nut

Valido anche per :
Tav.13 fig.65
cod.200.013.065

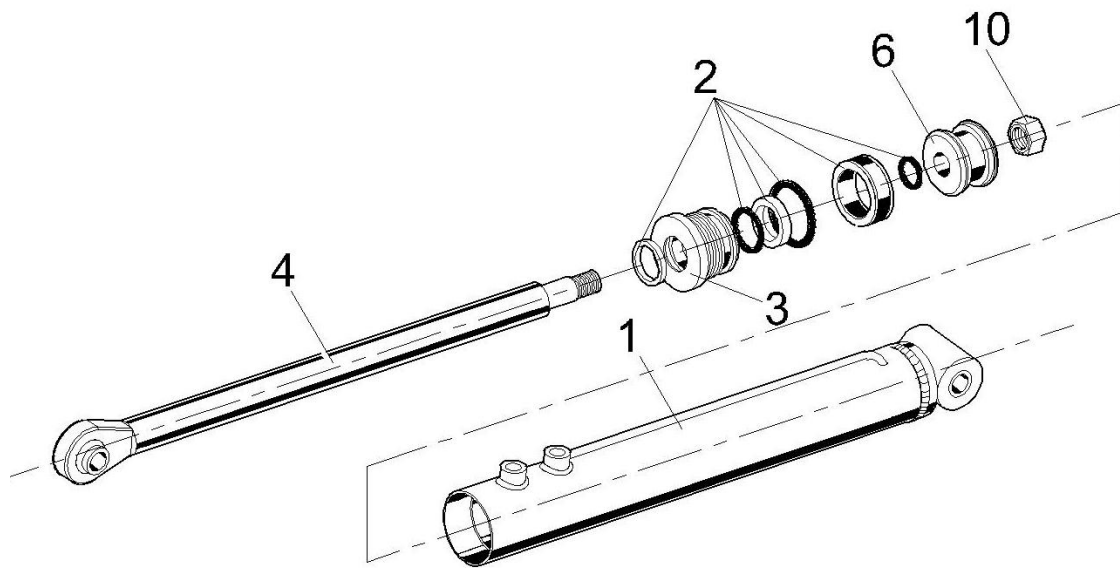
Martinetto sollevamento vasca
Verin soulement cuve
Hydraulic jack lifting tank



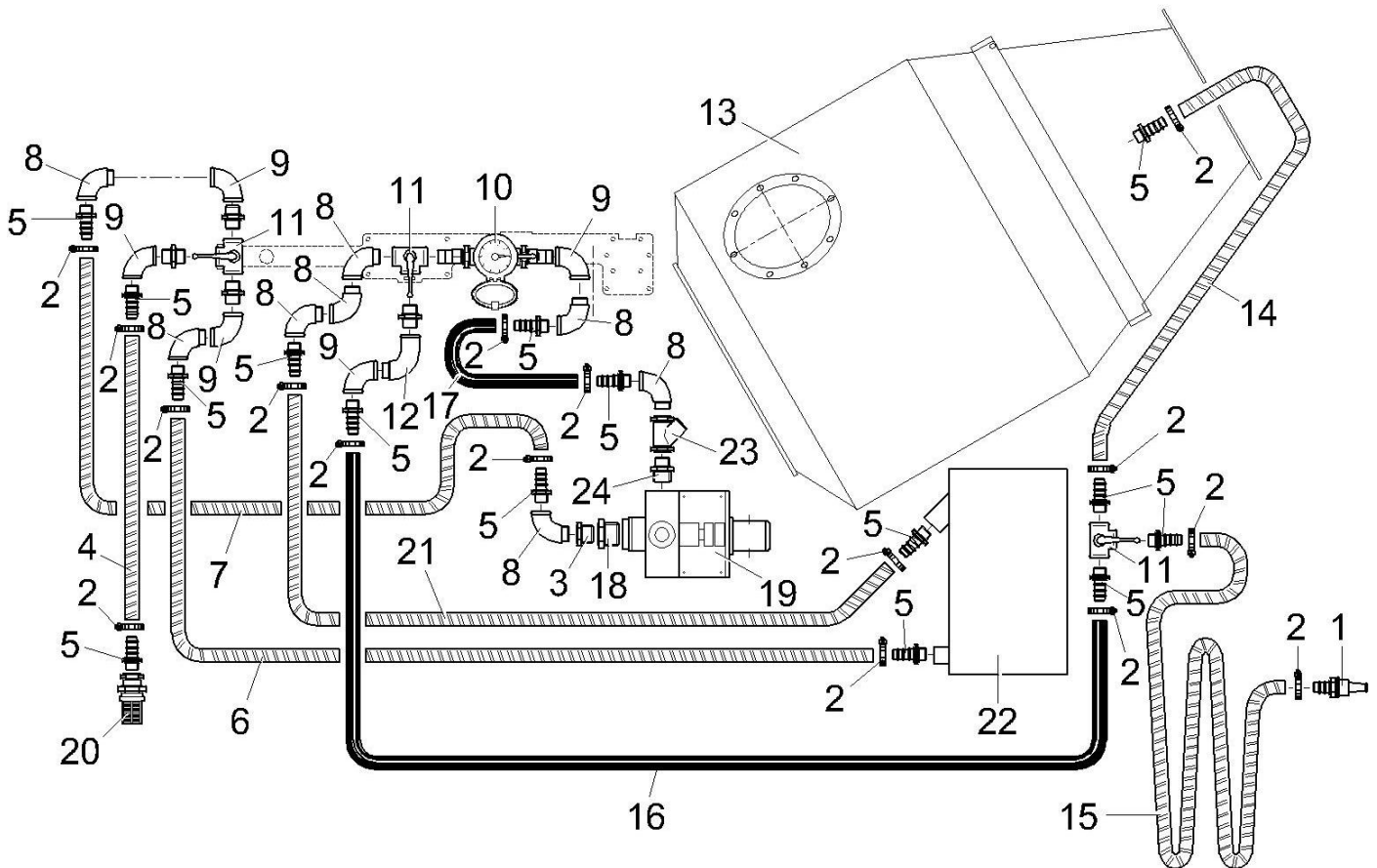
Tav. 22 (tav.20 Fig.85 cod.250.020.085)		Martinetto sterzo	Verin de direction	Steering cylinder
DB2000		I	F	GB
Rif	Codice	Descrizione	Designation	Description
1	250.022.001	Corpo cilindro	Corps du cylindre	Cylinder
2	250.022.002	Kit Guarnizioni	Kit joint	Packing kit
3	250.022.003	Guida cilindro	Manchon	Locking sleeve
4	250.022.004	Stelo	Tige	Piston rod
6	250.022.006	Pistone	Piston	Piston
10	250.022.010	Dado	Ecrou	Nut



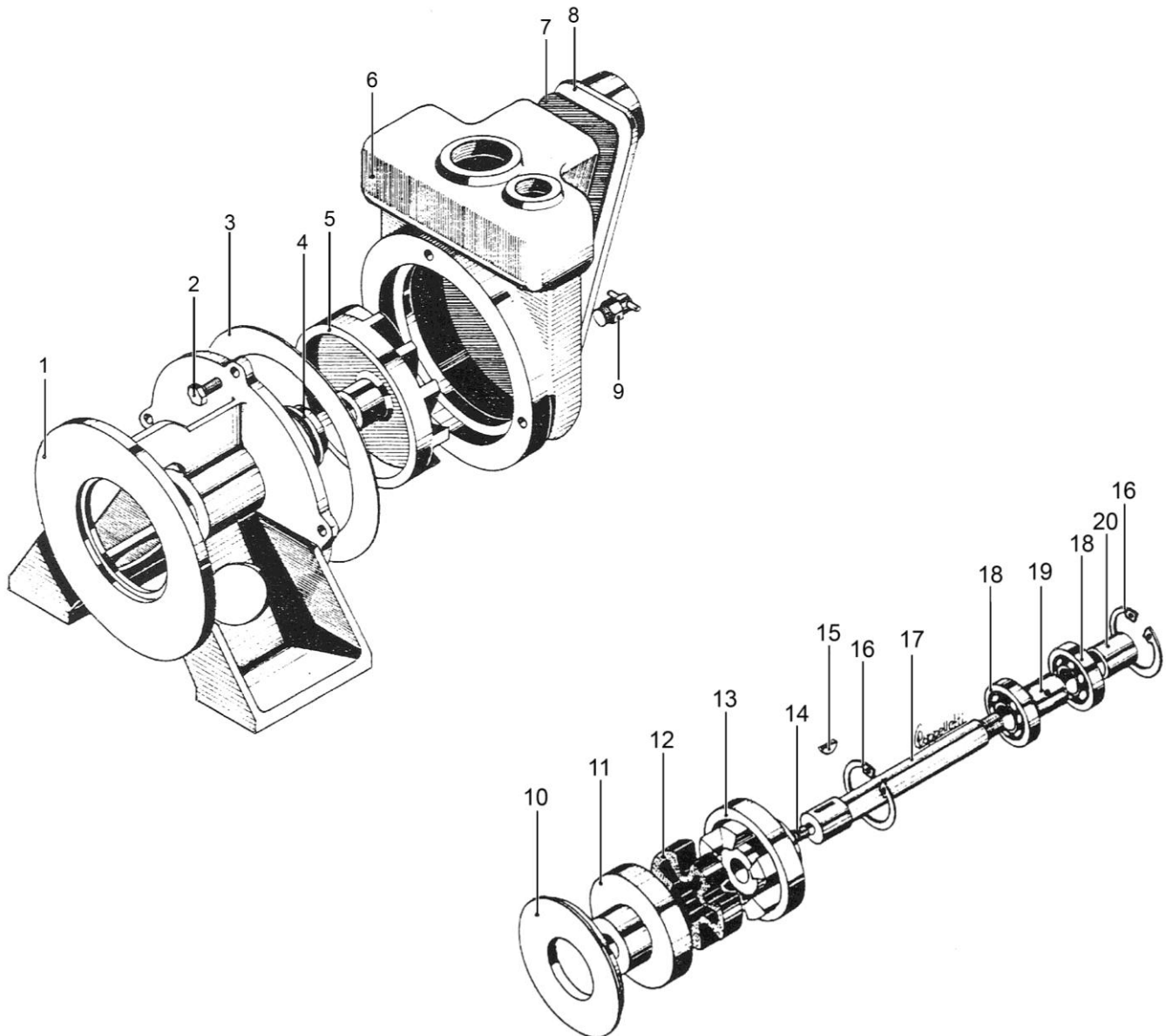
Tav. 23 (tav.20 Fig.90 cod.250.020.090)		Martinetto chiusura benna	Verin fermature benne	Hydraulic jack closure skip
	DB1200	I	F	GB
Rif	Codice	Descrizione	Designation	Description
1	250.023.001	Corpo cilindro	Corps du cylindre	Cylinder
2	250.023.002	Kit Guarnizioni	Kit joint	Packing kit
3	250.023.003	Guida cilindro	Manchon	Locking sleeve
4	250.023.004	Stelo	Tige	Piston rod
6	250.023.006	Pistone	Piston	Piston
10	250.023.010	Dado	Ecrou	Nut



Tav. 24		Impianto acqua		
	DB2000	I	F	GB
Rif	Codice	Descrizione	Designation	Description
1	250.024.001	Lancia di lavaggio	Lance de lavage	Washing nozzle
2	250.024.002	Fascetta serratubo	Bague de serrage	Hose clamp
3	250.024.003	Raccordo	Raccord	Nipple
4	250.024.004	Tubo	Tuyau	Hose
5	250.024.005	Raccordo portagomma	Raccord porte tuyau	Nipple hose holder
6	250.024.006	Tubo	Tuyau	Hose
7	250.024.007	Tubo	Tuyau	Hose
8	250.024.008	Gomito	Coude	Elbow connection
9	250.024.009	Gomito	Coude	Elbow connection
10	250.024.010	Dosatore	Doseur	Water meter
11	250.024.011	Deviatore di flusso	Soupape	Valve
12	250.024.012	Gomito	Coude	Elbow connection
13	250.024.013	Tamburo	Cuve	Mixing drum
14	250.024.014	Tubo	Tuyau	Hose
15	250.024.015	Tubo	Tuyau	Hose
16	250.024.016	Tubo	Tuyau	Hose
17	250.024.017	Tubo	Tuyau	Hose
18	250.024.018	Raccordo	Raccord	Nipple
19	250.024.019	Pompa acqua	Pompe d'eau	Water pump
20	250.024.020	Pescatore acqua	Soupape de pied	Suction valve
21	250.024.021	Tubo	Tuyau	Hose
22	250.024.022	Serbatoio acqua	Reservoir d'eau	Water tank
23	250.024.023	Filtro acqua	Filtre d'eau	Filter
24	250.024.024	Raccordo	Raccord	Nipple



Tav. 25		Pompa acqua		
	DB2000	I	F	GB
Rif	Codice	Descrizione	Designation	Description
1	250.025.001	Supporto motore	Support moteur	Hyd.motor support
2	250.025.002	Vite	Vis	Bolt
3	250.025.003	Guarnizione	Garniture	Gasket
4	250.025.004	Guarnizione	Garniture	Gasket
5	250.025.005	Girante	Couronne	Impeller
6	250.025.006	Corpo pompa	Corps de pompe	Pump housing
7	250.025.007	Guarnizione	Garniture	Gasket
8	250.025.008	Coperchio	Couvercle	Cover
9	250.025.009	Rubinetto	Robinet	Draining cock
10	250.025.010	Flangia	Flasque	Centering flange
11	250.025.011	Semigiunto	Demijoint	Coupling
12	250.025.012	Giunto elastico	Corps elastique	Elastic coupling
13	250.025.013	Semigiunto	Demijoint	Coupling
14	250.025.014	Vite	Vis	Bolt
15	250.025.015	Linguetta	Languette	Key
16	250.025.016	Anello Seeger	Circlip	Seeger ring
17	250.025.017	Albero	Arbre	Shaft
18	250.025.018	Cuscinetto	Roulement	Bearing
19	250.025.019	Distanziale	Entretoise	Spacer
20	250.025.020	Distanziale	Entretoise	Spacer



Tav. 26		Fari e quadro di comando		
	DB2000	I	F	GB
Rif	Codice	Descrizione	Designation	Description
1	250.026.001	Faro anteriore destro	Phare avant droit	Headlight right
2	250.026.002	Faro anteriore sinistro	Phare avant gauche	Headlight left
3	250.026.003	Faro posteriore destro	Phare arrière droit	Right rear light
4	250.026.004	Faro posteriore sinistro	Phare arrière gauche	Left rear light
5	250.026.005	Lampada rotante	Gyrophare	Flashing
6	250.026.006	Faro lavoro	Phare de travail	Worklight
7	250.026.007	Commutatore fari e claxon	Commutateur de phares et klaxon	Switch headlights and horn
8	250.026.008	Spia batteria	Témoin alternateur	Battery indicator light
9	250.026.009	Spia olio	Témoin huile	Oil indicator light
10	250.026.010	Spia frecce	Témoin flèches de direction	Indicator light arrows
11	250.026.011	Spia frecce emergenza	Témoin flèches de détresse	
12	250.026.012	Spia livello carburante	Témoin carburant	Fuel level warning light
13	250.026.013	Spia rottura cinghie		
14	250.026.014	Porta fusibili	Boîte porte-fusibles	Fuse holder
15	250.026.015	Interruttore frecce		
16	250.026.016	Interruttore lampada ruotante	Commutateur pour gyrophare	Rotating lamp switch
17	250.026.017	Interruttore fari di lavoro	Commutateur pour phare de travail	Headlight switch work
18	250.026.018	Interruttore luci emergenza	Commutateur pour l'éclairage de secours	Emergency light switch
19	250.026.019	Quadro di accensione	Panneau d'allumage	The electrical ignition key
20	250.026.020	Pulsante di accensione	Bouton d'alimentation	Power button
21	250.026.021	Spia filtro aria	Témoin filtre à air	Air filter indicator light
22	250.026.022	Spia riserva carburante		
23	250.026.023	Pulsante d'emergenza		
24	250.026.024	Spia giro fari		
25	250.026.025	Contaore	Compteur horaire	Counter
26	250.026.026	Spia fari abbaglianti	Témoin feux croisemen	Indicator light headlights
27	250.026.027	Spia luci posizione	Témoin feux de position	Indicator light lights location
28	250.026.028	Spia fari abbaglianti	Témoin feux croisemen	Indicator light headlights

