

SILVA

ITALY

DUMPER 1000-1200 NT/SN

SCARICO IDRAULICO FRONTALE

DESCARGEMENT HYDRAULIQUE FRONTAL

HYDRAULIC FRONTAL TIPPING

DESCARGA HIDRAULICA FRONTAL



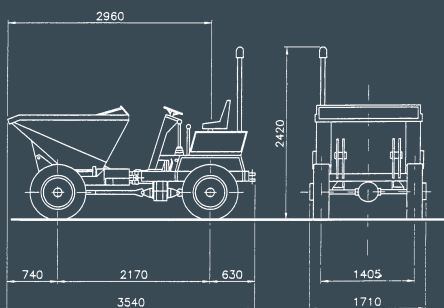
1200 NT/SN

1000 NT/SN

SILLA

DUMPER 1000-1200 NT/SN

SCARICO IDRAULICO FRONTALE
 DESCHARGEMENT HYDRAULIQUE FRONTAL
 HYDRAULIC FRONTAL TIPPING
 DESCARGA HIDRAULICA FRONTAL



| CARATTERISTICHE TECNICHE DONNEES TECHNIQUES SPECIFICATIONS CARACTERISTICAS TECNICAS | 1000 NT/SN | 1200 NT/SN |
|---|-------------------------|-------------------------|
| CAPACITA' DELLA BENNA - CAPACITE' DE LA BENNE - SKIP CAPACITIES - CAPACIDAD DE LA TOLVA A RASO/A COLMO A RAS / COMBLEE STRUCK / HEAPED NIVEL DE AGUA / COLMADA | 1.000/1.200 ltr. | 1.200/1.500 ltr. |
| PORTATA PORTEE MAX PAYLOAD CARGA UTIL | 2.500 Kg | 3.000 Kg |
| PESO A VUOTO POIDS A VIDE UNLOADED WEIGHT PESO EN VACIO | 1.390 Kg | 1.500 Kg |
| MOTORE DIESEL LOMBARDINI MOTEUR DIESEL LOMBARDINI DIESEL ENGINE LOMBARDINI MOTOR DIESEL LOMBARDINI | 9LD 625.2 | |
| POTENZA PUISSANCE POWER POTENCIA MOTOR | HP 28,5/HP 23 | HP 28,5/HP 23 |
| Nr. CILINDRI Nr. CYLINDRES Nr. CYLINDERS Nr. CILINDROS | 2 | 2 |
| TRASMISSIONE MECCANICA TRANSMISSION MECANIQUE MECHANICAL TRANSMISSION TRANSMISION MECANICA MEDIANTE CARDAN | ● | ● |
| MARCE AVANTI / RETRO VITESSE AV/AR FORWARD / REVERSE GEARS VELOCIDADES ADELANTE / ATRAS | 4/4 | 4/4 |
| FRIZIONE MONODISCO A SECCO EMBAYAGE MONODISQUE A SEC SINGLE DRY PLATE CLUTCH EMBRAQUE MONODISCO EN SECO | ● | ● |
| VELOCITA' MAX VITESSE MAX MAX SPEED VELOCIDAD MAX | 25 Km/h | 25 Km/h |
| FRENI IDRAULICI SULLE 4 RUOTE FREINS HYDRAULIQUES SUR LES 4 ROUES BRAKES 4 WHEELS HYDRAULIC FOOTBRAKES FRENOS HIDRAULICOS SOBRE LAS 4 RUEDAS | ● | ● |
| RUOTE MOTRICI ROUES MOTRICES WHEELS DRIVE RUEDAS MOTRICES | 4 | 4 |
| PNEUMATICI PNEUS TYRES NEUMATICOS | 7,50 - 16 | 10,0 / 75 - 15,3 |
| OPTIONAL: • impianto fari - équipement d'éclairage pour circulation routiere - road lighting equipment - equipo completo de luces para la carretera • tettino di protezione - toit de protection - protective roof - techo protector del conductor | | |



Nuovo cruscotto
 Nouveau tableau de bord
 New dashboard
 Nuevo tablero de instrumentos

SILLA Macchine Edili & Stradali S.r.l.
 53036 Poggibonsi (SI) ITALY - Via San Gimignano, 96
 Tel. +39 0577 938051 - Fax +39 0577 981609
 general e-mail: info@sillaitaly.com - sales department: fnery@sillaitaly.com
www.sillaitaly.com