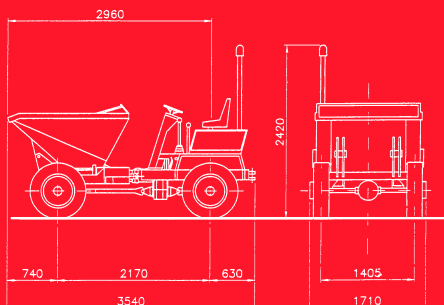


SILLA

Dumper 1200 NT/SN/3L

SCARICO IDRAULICO TRILATERALE
DESCHARGEMENT HYDRAULIQUE TRILATERAL
THREE SIDES DISCHARGE
DESCARGA HIDRAULICA GIRATORIA 180°



CARATTERISTICHE TECNICHE DONNEES TECHNIQUES SPECIFICATIONS CARACTERISTICAS TECNICAS		Dumper 1200 NT/SN/3L	
CAPACITA' DELLA BENNA - CAPACITE' DE LA BENNE - SKIP CAPACITIES - CAPACIDAD DE LA TOLVA			
A RASO A RAS STRUCK NIVEL DE AGUA	1.200 ltr.	A COLMO COMBLEE HEAPED COLMADA	1.500 ltr.
PORTATA PORTEE MAX PAYLOAD CARGA UTIL		3.000 Kg	
PESO A VUOTO POIDS A VIDE UNLOADED WEIGHT PESO EN VACIO		1.700 Kg	
MOTORE DIESEL LOMBARDINI / HATZ AVV. ELETTRICO MOTEUR DIESEL LOMBARDINI / HATZ DEMARRAGE ELECTRIQUE DIESEL ENGINE LOMBARDINI / HATZ ELECTRIC START MOTOR DIESEL LOMBARDINI / HATZ ARRANQUE ELECTRICO		9 LD625.2 / 2G40	
POTENZA PUISSANCE POWER POTENCIA MOTOR		HP 28,5 / 23	
Nr. CILINDRI Nr. CYLINDRES Nr. CYLINDERS Nr. CILINDROS		2	
TRASMISSIONE TRAMMISSION MECHANICAL TRASMISION	MECCANICA MECANIQUE TRAMMISSION MECANICA MEDIANTE CARDAN		
MARCE AVANTI / RETRO VITESSE AV/AR FORWARD / REVERSE GEARS VELOCIDADES ADELANTE / ATRAS		4/4	
FRIZIONE MONODISCO A SECCO EMBAYAGE MONODISQUE A SEC SINGLE DRY PLATE CLUTCH EMBRAGUE MONODISCO EN SECO			
VELOCITA' MAX VITESSE MAX MAX SPEED VELOCIDAD MAX		25 Km/h	
FRENI FREINS BRAKES FRENOS	IDRAULICI SULLE 4 RUOTE HYDRAULIQUES SUR LES 4 ROUES 4 WHEELS HYDRAULIC FOOTBRAKES HIDRAULICOS SOBRE LAS 4 RUEDAS		
RUOTE MOTRICI ROUES MOTRICES WHEELS DRIVE RUEDAS MOTRICES		4	
PNEUMATICI PNEUS TYRES NEUMATICOS		10,0 - 75-15,3	

SILLA Macchine Edili e Stradali S.r.l.

53036 POGGIBONSI (SI) ITALY - Via San Gimignano, 96

Tel. +39.0577.938.051 - Fax +39.0577.981.609

e-mail: info@sillaitaly.com - www.sillaitaly.com