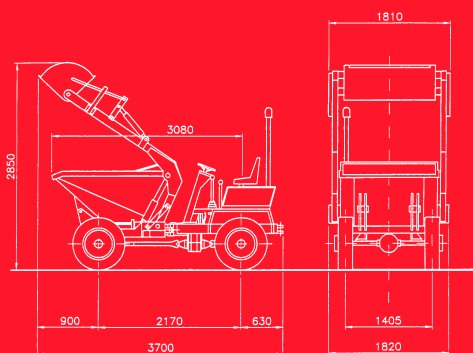


# SILLA

## Dumper 1200 SNP

**SCARICO IDRAULICO FRONTALE CON PALA AUTOCARICANTE**  
**DESCHARGEMENT HYDRAULIQUE FRONTAL AVEC PELLE CHARGEUSE**  
**HYDRAULIC FRONTAL TIPPING WITH SHOVEL**  
**DESCARGA HIDRAULICA FRONTAL CON PALA**



CARATTERISTICHE TECNICHE DONNEES TECHNIQUES SPECIFICATIONS CARACTERISTICAS TECNICAS		Dumper 1200 SNP	
<b>CAPACITA' DELLA BENNA - CAPACITE' DE LA BENNE - SKIP CAPACITIES - CAPACIDAD DE LA TOLVA</b>			
<b>A RAS A RAS STRUCK NIVEL DE AGUA</b>	<b>1.200 ltr.</b>	<b>A COLMO COMBLEE HEAPED COLMADA</b>	<b>1.500 ltr.</b>
<b>PORTATA PORTEE MAX PAYLOAD CARGA UTIL</b>			<b>3.000 Kg</b>
<b>PESO A VUOTO POIDS A VIDE UNLOADED WEIGHT PESO EN VACIO</b>			<b>1.700 Kg</b>
<b>MOTORE DIESEL LOMBARDINI / HATZ AVV. ELETTRICO MOTEUR DIESEL LOMBARDINI / HATZ DEMARRAGE ELECTRIQUE DIESEL ENGINE LOMBARDINI / HATZ ELECTRIC START MOTOR DIESEL LOMBARDINI / HATZ ARRANQUE ELECTRICO</b>			<b>9 LD625.2 / 2G40</b>
<b>POTENZA PUISSANCE POWER POTENCIA MOTOR</b>			<b>HP 28,5 / 23</b>
<b>Nr. CILINDRI Nr. CYLINDRES Nr. CYLINDERS Nr. CILINDROS</b>			<b>2</b>
<b>TRASMISSIONE TRAMMISSION MECHANICAL TRANSMISION</b>	<b>MECCANICA MECANIQUE TRANSMISSION MECANICA MEDIANTE CARDAN</b>		
<b>MARCE AVANTI / RETRO VITESSE AV/AR FORWARD / REVERSE GEARS VELOCIDADES ADELANTE / ATRAS</b>			<b>4/4</b>
<b>FRIZIONE MONODISCO A SECCO EMBAYAGE MONODISQUE A SEC SINGLE DRY PLATE CLUTCH EMBRAGUE MONODISCO EN SECO</b>			
<b>VELOCITA' MAX VITESSE MAX MAX SPEED VELOCIDAD MAX</b>			<b>25 Km/h</b>
<b>FRENI FREINS BRAKES FRENOS</b>	<b>IDRAULICI SULLE 4 RUOTE HYDRAULIQUES SUR LES 4 ROUES 4 WHEELS HYDRAULIC FOOTBRAKES HIDRAULICOS SOBRE LAS 4 RUEDAS</b>		
<b>RUOTE MOTRICI ROUES MOTRICES WHEELS DRIVE RUEDAS MOTRICES</b>			<b>4</b>
<b>PNEUMATICI PNEUS TYRES NEUMATICOS</b>			<b>10,0 - 75-15,3</b>

SILLA Macchine Edili e Stradali S.r.l.  
 53036 POGGIBONSI (SI) ITALY - Via San Gimignano, 96  
 Tel. +39.0577.938.051 - Fax +39.0577.981.609  
 e-mail: info@sillaitaly.com - www.sillaitaly.com